

AXOR Edge
Single lever shower mixer for concealed installation
 Finish: **Chrome** Article Number: **46650000**



product features

- 1 function
- maximum flow rate at 3 bar: 29 l/min
- ceramic cartridge
- temperature limitation adjustable
- with silencer
- suitable for continuous flow water heaters
- min. operating pressure: 1 bar
- max. operating pressure: 10 bar
- connection type: basic set
- WRAS 1907345

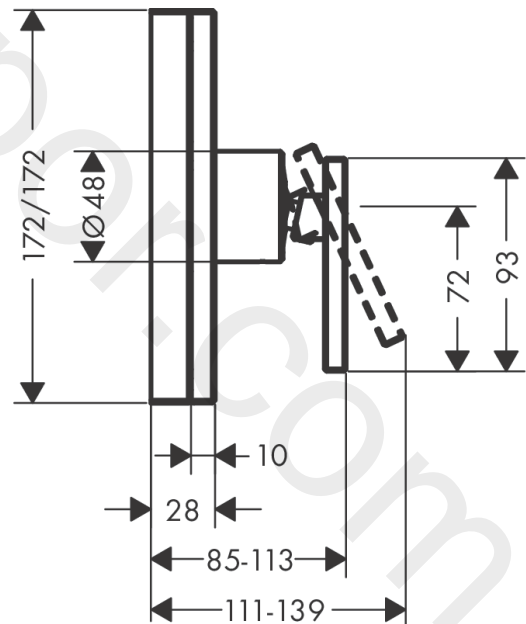
Article Details

Price excl. VAT 858,33 £

Product image



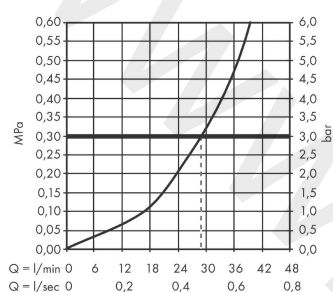
Scale drawing



AXOR Edge
Single lever shower mixer for concealed installation
Finish: **Chrome** Article Number: **46650000**



Flowchart

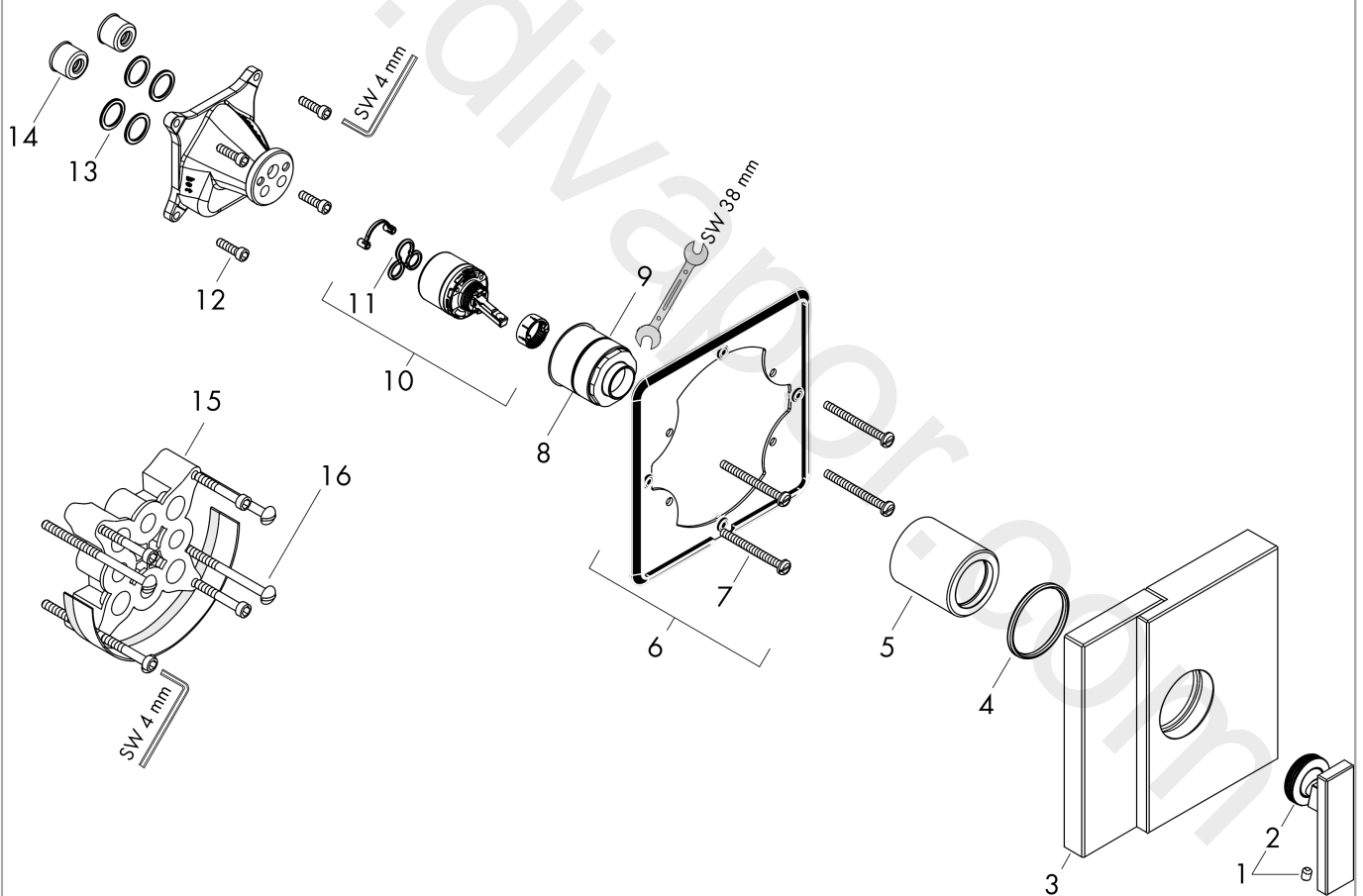


AXOR Edge
Single lever shower mixer for concealed installation
Finish: **Chrome** Article Number: **46650000**



Exploded Drawing

Year of production: >06/19



AXOR Edge
Single lever shower mixer for concealed installation
 Finish: **Chrome** Article Number: **46650000**



Spare part list

Year of production: >06/19

Pos.		Article Number	Price	PU
1	handle	93565000	£ 370,00	1
2	O-Ring 30x2	98186000	£ 3,30	1
3	escutcheon 170 / 170 mm	93567000	£ 2.330,00	1
4	O-Ring 48x3	95508000	£ 3,30	1
5	sleeve	93581000	£ 137,00	1
6	sub plate	93604000	£ 96,00	1
7	set of fixing screws	96454000	£ 9,00	1
8	nut	93564000	£ 79,00	1
9	O-ring 39x1,5	98400000	£ 3,30	1
10	cartridge, assy	93185000	£ 137,00	1
11	seal	95008000	£ 9,00	1
12	set of screws	96525000	£ 9,00	1
13	O-ring 16x2	98133000	£ 3,30	1
14	noise reduction	94073000	£ 25,00	1
15	extension 25 mm	13595000	£ 75,00	1
16	set of fixing screws	97747000	£ 3,30	1
a	concealed item	01800180	£ 163,00	1