

**AXOR Edge**  
**Rim mounted bath set**

Finish: **Chrome** Article Number: **46470000**



**product features**

- suitable for installation on bath rim
- consists of: baton hand shower, escutcheon, hose box, shower hose
- sBox for quiet, smooth and protected hose guidance
- connection thread G ½
- connection dimension: DN15
- no additional maintenance opening required
- maximum pull-out length of hand shower 1.45 m
- removable for service at any time
- maximum flow rate at 3 bar: 10 l/min

**Article Details**

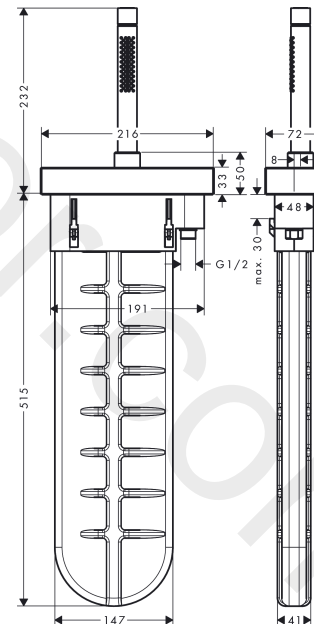
Price excl. VAT

562,50 £

**Product image**



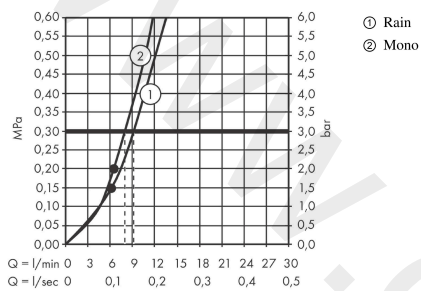
**Scale drawing**



**AXOR Edge**  
**Rim mounted bath set**  
 Finish: **Chrome** Article Number: **46470000**



## Flowchart



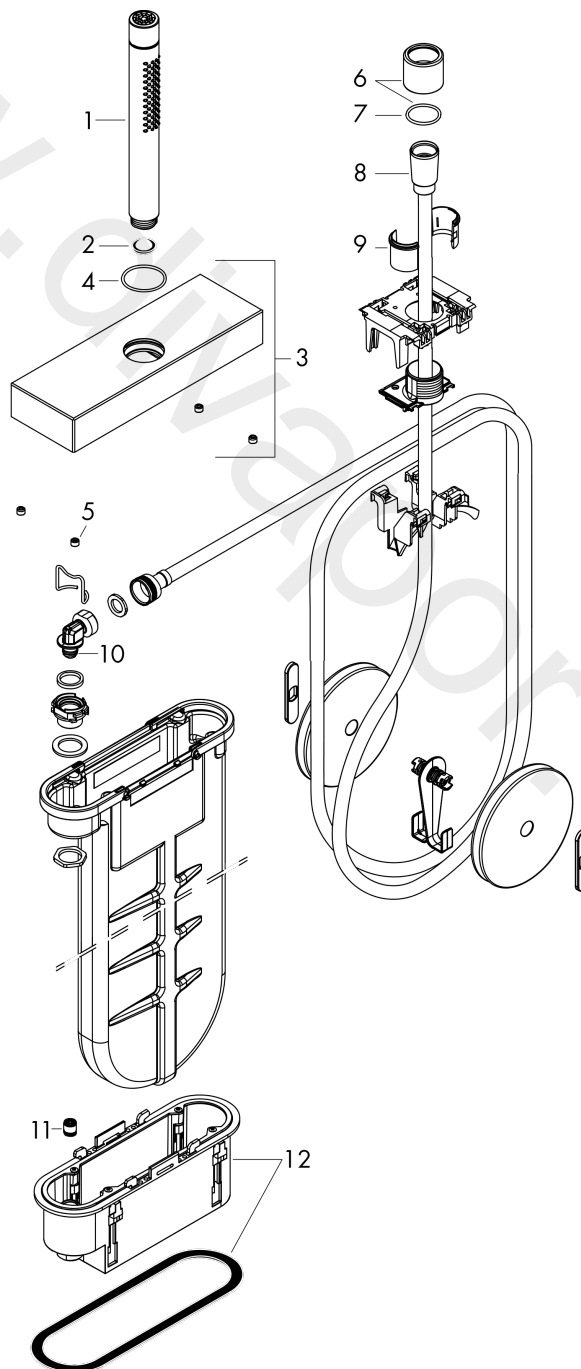
The consumption was measured in combination with the appropriate fittings (thermostat/mixer/in-wall valve) to reflect actual application in practice.

**AXOR Edge**  
**Rim mounted bath set**  
Finish: **Chrome** Article Number: **46470000**



## Exploded Drawing

Year of production: >06/19



**AXOR Edge**  
**Rim mounted bath set**  
 Finish: **Chrome** Article Number: **46470000**



## Spare part list

Year of production: >06/19

Pos.		Article Number	Price	PU
1	handshower	28532000	£ 223,00	1
2	filter packing	94246000	£ 3,30	1
3	escutcheon	93582000	£ 830,00	1
4	O-Ring 32x2	98193000	£ 3,30	1
5	screw cover	95704000	£ 3,30	1
6	nut	93591000	£ 137,00	1
7	O-ring 24x2	98388000	£ 3,30	1
8	shower hose	93506000	£ 137,00	1
9	insert for shower holder	96942000	£ 13,30	1
10	O-ring 9x2	98119000	£ 3,30	1
11	non return valve DW 10	96456000	£ 9,00	1
12	installation frame	93908000	£ 79,00	1