

AXOR Edge
Single lever bath mixer floor-standing - diamond cut 2 ticks
 Finish: **Chrome** Article Number: **46442009**



product features

- consists of: single lever bath mixer floor standing, baton hand shower, shower hose, shower holder
- 2 functions
- projection: 255 mm
- spray type mixer: normal spray
- spray type hand shower: Rain, Mono
- ceramic cartridge
- temperature limitation adjustable
- diverter with automatic resetting
- non-return valve
- suitable for continuous flow water heaters
- connection dimension: DN15
- connection type: basic set
- deck mounted
- min. operating pressure: 1 bar
- max. operating pressure: 10 bar

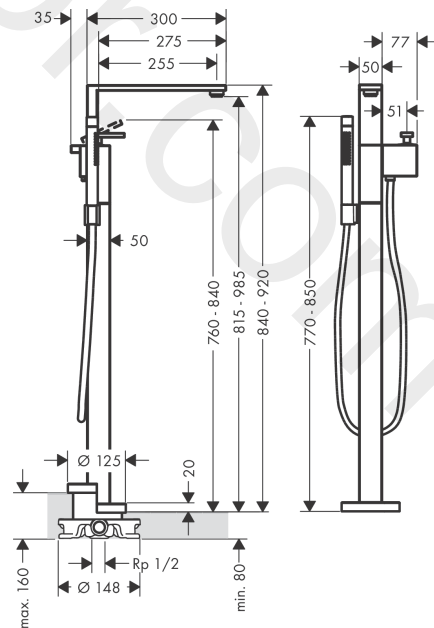
Technology



Product image



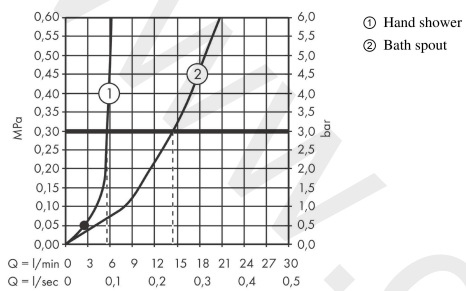
Scale drawing



AXOR Edge
Single lever bath mixer floor-standing - diamond cut 2 ticks
 Finish: **Chrome** Article Number: **46442009**



Flowchart

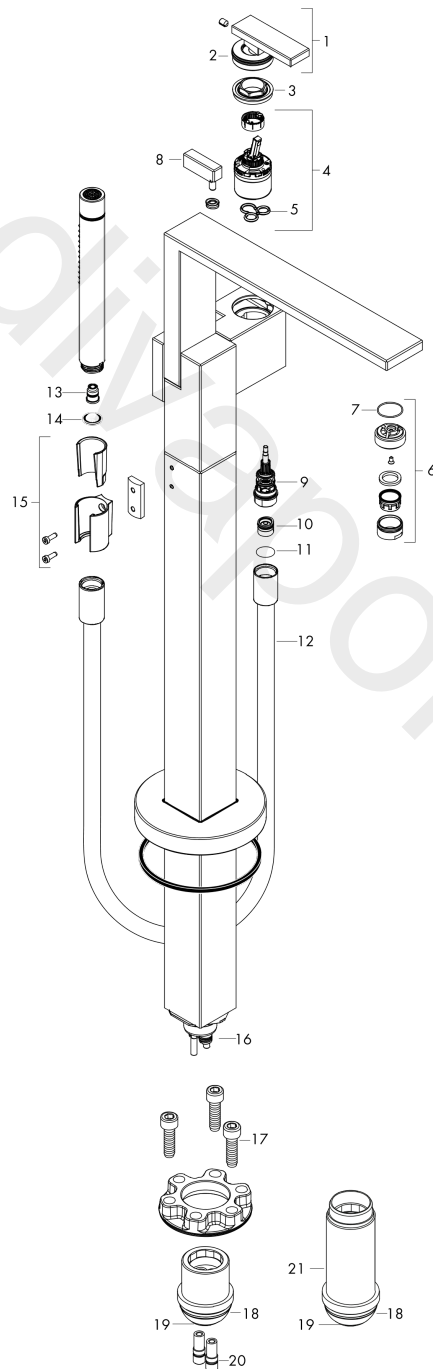


AXOR Edge
Single lever bath mixer floor-standing - diamond cut 2 ticks
Finish: **Chrome** Article Number: **46442009**



Exploded Drawing

Year of production: >04/20



AXOR Edge
Single lever bath mixer floor-standing - diamond cut 2 ticks
 Finish: **Chrome** Article Number: **46442009**



Spare part list

Year of production: >04/20

Pos.		Article Number	Price	PU
1	handle	93424000	£ 275,00	1
2	O-ring 33x1,5	98164000	£ 3,30	1
3	nut	93363000	£ 43,00	1
4	cartridge, assy	93185000	£ 137,00	1
5	seal	95008000	£ 9,00	1
6	aerator M24x1	93629000	£ 51,00	1
7	O-ring 22x1,2	98397000	-	1
8	diverter knob	93652000	£ 224,00	1
9	selector	97978000	£ 64,00	1
10	set of non return valves DW 15	94074000	£ 16,10	1
11	seal	98058000	£ 3,30	1
12	shower hose 1,25 m	28282000	£ 67,00	1
13	back flow preventor cartridge	93339009	£ 20,50	1
14	filter packing	94246000	£ 3,30	1
15	shower holder, assy	96295000	£ 35,00	1
16	O-ring 9x1,5	98117000	£ 3,30	1
17	hexagon socket screw M10x35	97670000	£ 16,10	1
18	O-ring 44x2,5	98162000	£ 3,30	1
19	O-ring 29x3	98371000	£ 6,10	1
20	O-ring 7x2	98419000	£ 3,30	1
21	extension set 60 mm	97686000	£ 320,00	1