

AXOR Edge

3-hole rim mounted bath mixer - diamond cut 2 ticks

Finish: **Chrome** Article Number: **46432009**



product features

- consists of: 3-hole rim mounted single lever bath mixer, baton hand shower, shower holder
- 2 functions
- projection: 210 mm
- spray type mixer: normal spray
- spray type hand shower: Rain, Mono
- maximum pull-out length of hand shower: 1,45 m
- maximum flow rate at 3 bar: 19,5 l/min
- flow rate for bath spout at 3 bar: 19,5 l/min
- flow rate of hand shower at 3 bar: 6,8 l/min
- ceramic cartridge
- temperature limitation adjustable
- non-return valve
- suitable for continuous flow water heaters
- connection dimension: DN15
- connection type: basic set
- installation on bath rim
- min. operating pressure: 1 bar
- max. operating pressure: 10 bar

Technology



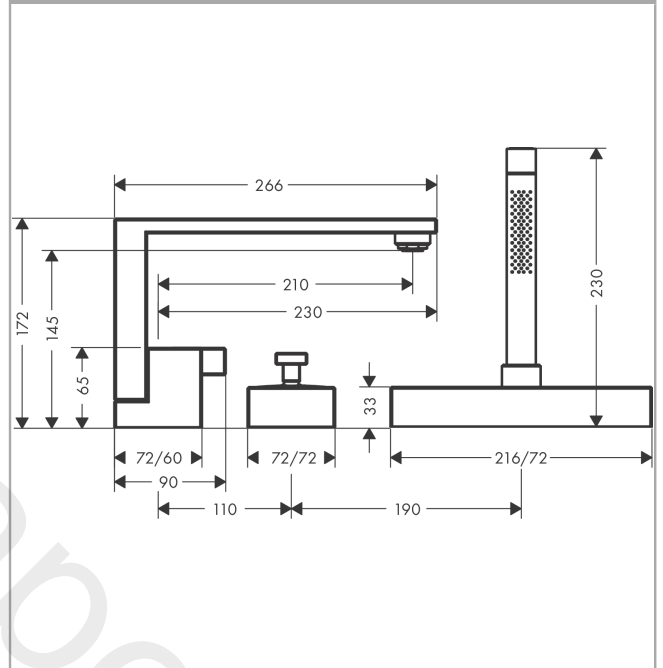
AXOR Edge
3-hole rim mounted bath mixer - diamond cut 2 ticks
 Finish: **Chrome** Article Number: **46432009**



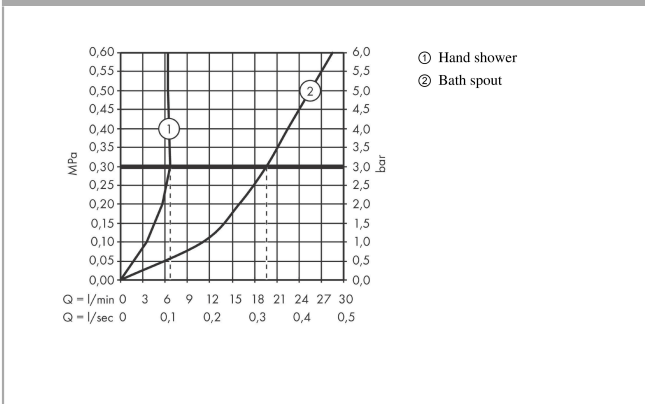
Product image



Scale drawing



Flowchart

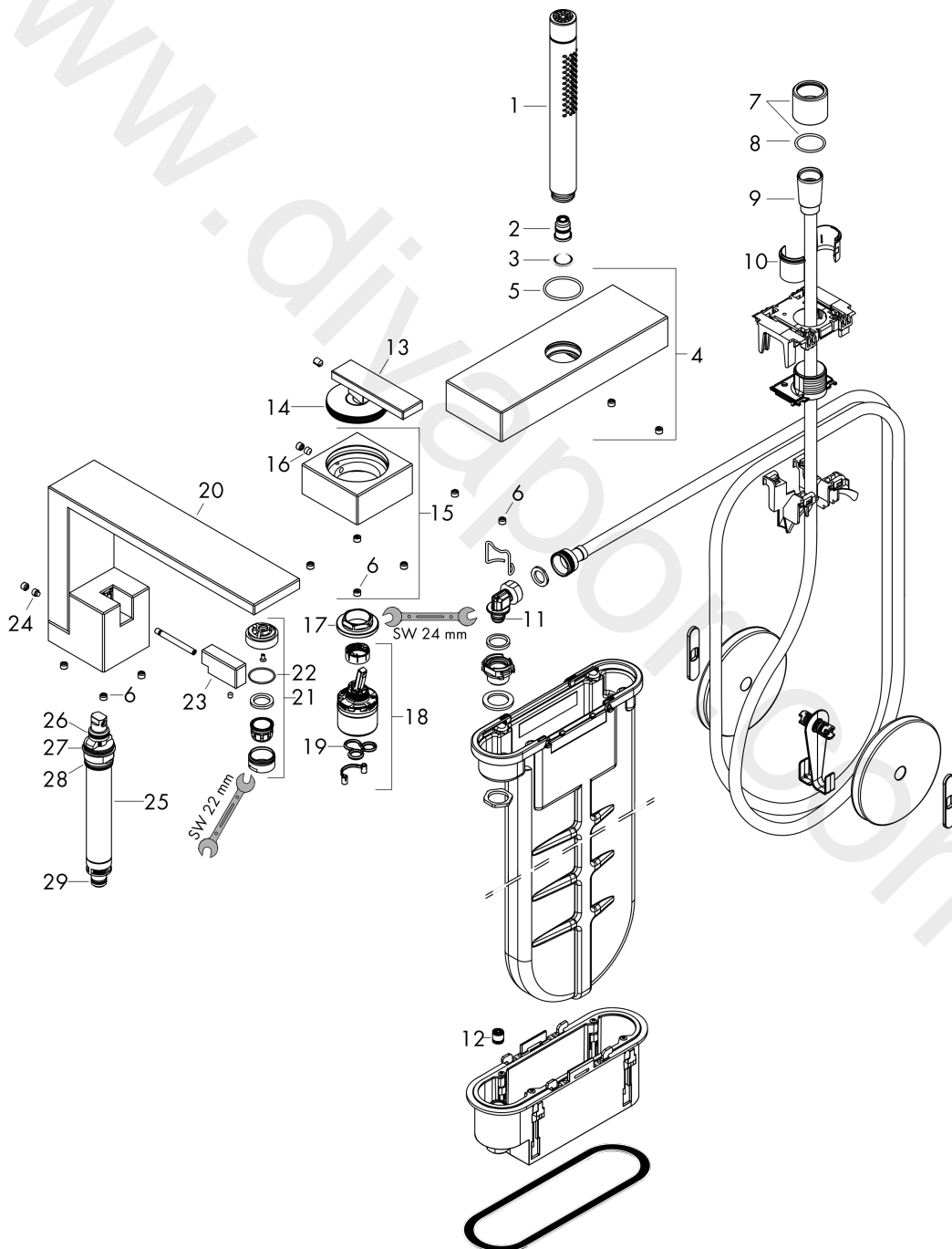


AXOR Edge
3-hole rim mounted bath mixer - diamond cut 2 ticks
 Finish: **Chrome** Article Number: **46432009**



Exploded Drawing

Year of production: >04/20



AXOR Edge
3-hole rim mounted bath mixer - diamond cut 2 ticks
 Finish: **Chrome** Article Number: **46432009**



Spare part list

Year of production: >04/20

Pos.		Article Number	Price	PU
1	handshower	28532007	-	1
2	back flow preventor cartridge	93339000	£ 20,50	1
3	filter packing	94246000	£ 3,30	1
4	escutcheon	93582000	£ 830,00	1
5	O-Ring 32x2	98193000	£ 3,30	1
6	screw cover	95704000	£ 3,30	1
7	nut	93591000	£ 137,00	1
8	O-ring 24x2	98388000	£ 3,30	1
9	shower hose	93506000	£ 137,00	1
10	insert for shower holder	96942000	£ 13,30	1
11	O-ring 9x2	98119000	£ 3,30	1
12	non return valve DW 10	96456000	£ 9,00	1
13	handle	93590000	£ 370,00	1
14	O-ring 52x1,5	98200000	£ 6,10	1
15	escutcheon for handle	93587000	£ 445,00	1
16	hollow set screw M6x5	98447000	£ 3,30	1
17	nut	93592000	£ 64,00	1
18	cartridge, assy	93185000	£ 137,00	1
19	seal	95008000	£ 9,00	1
20	spout cpl.	93585000	£ 2.330,00	1
21	aerator M24x1	93629000	£ 51,00	1
22	O-ring 22x1,2	98397000	-	1
23	diverter knob	93583000	£ 370,00	1
24	hollow set screw M6x6	97660000	£ 3,30	1
25	selector assy	93589000	£ 137,00	1
26	O-Ring 14x2,5	98189000	£ 3,30	1
27	O-Ring 23x2,5	98183000	£ 3,30	1
28	O-Ring 22x2	98185000	£ 3,30	1
29	O-ring 9x2,5	98217000	£ 3,30	1