

**AXOR Edge**  
**3-hole rim mounted bath mixer - diamond cut**  
 Finish: **Chrome** Article Number: **46431000**



## product features

- consists of: 3-hole rim mounted single lever bath mixer, baton hand shower, shower holder
- 2 functions
- projection: 210 mm
- spray type mixer: normal spray
- spray type hand shower: Rain, Mono
- maximum pull-out length of hand shower: 1.45 m
- maximum flow rate at 3 bar: 20 l/min
- flow rate for bath spout at 3 bar: 20 l/min
- flow rate of hand shower at 3 bar: 9 l/min
- ceramic cartridge
- temperature limitation adjustable
- non-return valve
- suitable for continuous flow water heaters
- connection dimension: DN15
- connection type: basic set
- installation on bath rim
- min. operating pressure: 1 bar
- max. operating pressure: 10 bar
- removable for service at any time

## Article Details

Price excl. VAT 2.450,00 £

## Technology



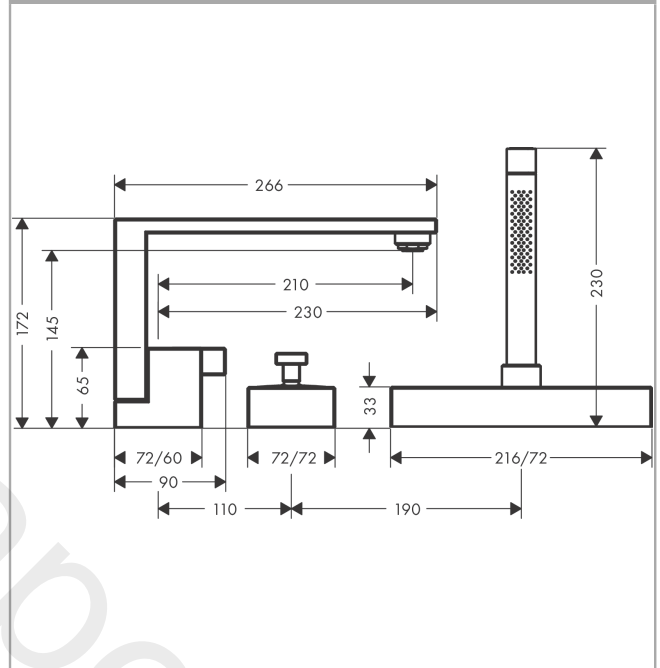
**AXOR Edge**  
**3-hole rim mounted bath mixer - diamond cut**  
 Finish: **Chrome** Article Number: **46431000**



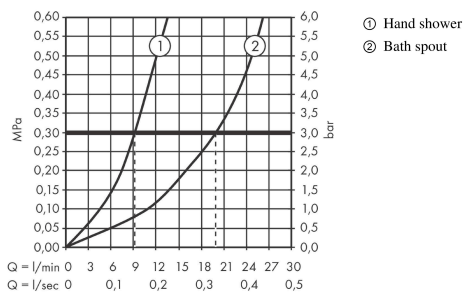
## Product image



## Scale drawing



## Flowchart

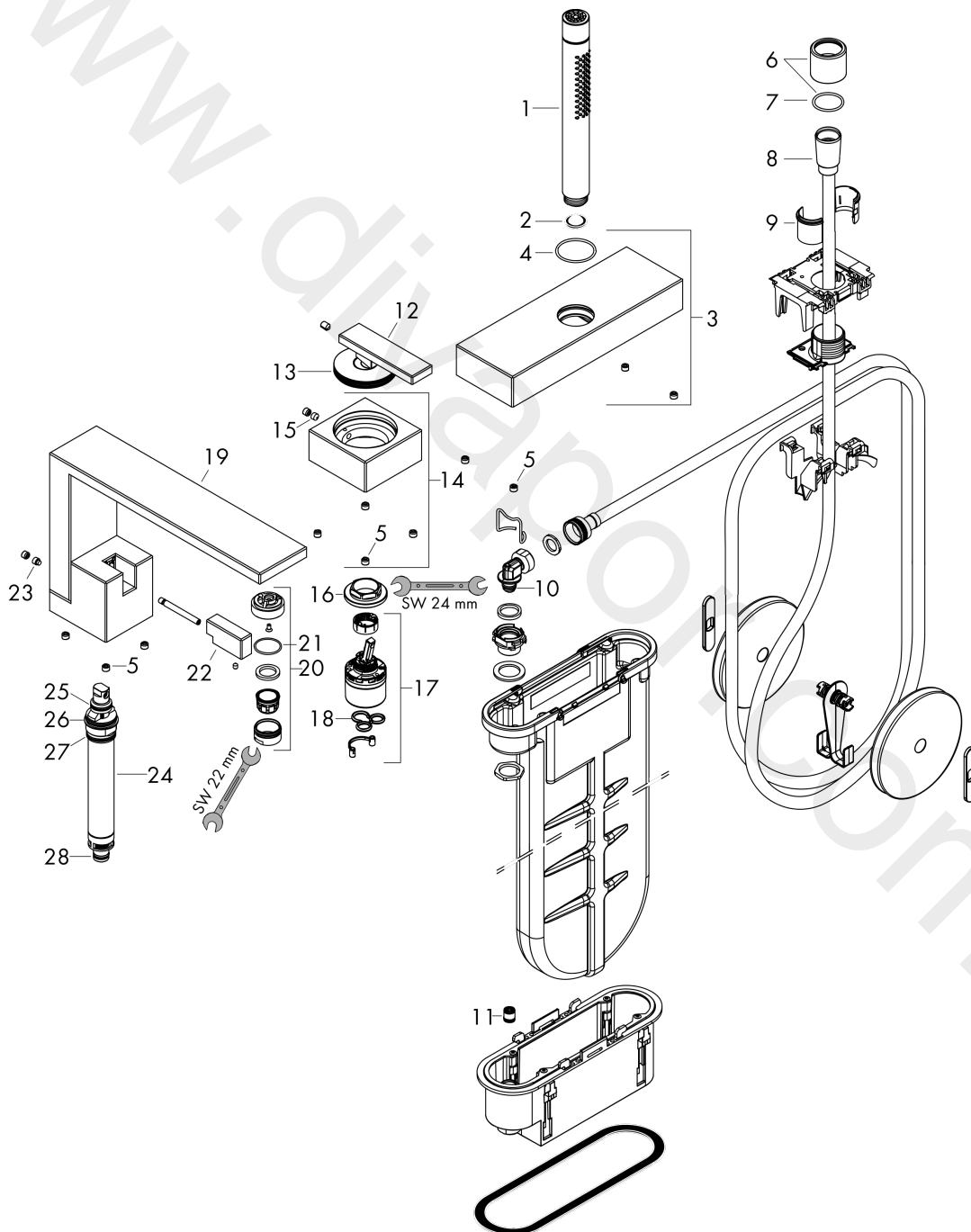


**AXOR Edge**  
**3-hole rim mounted bath mixer - diamond cut**  
 Finish: **Chrome** Article Number: **46431000**



## Exploded Drawing

Year of production: >06/19



**AXOR Edge**  
**3-hole rim mounted bath mixer - diamond cut**  
 Finish: **Chrome** Article Number: **46431000**



## Spare part list

Year of production: >06/19

Pos.		Article Number	Price	PU
1	handshower	28532000	£ 223,00	1
2	filter packing	94246000	£ 3,30	1
3	escutcheon	93582000	£ 830,00	1
4	O-Ring 32x2	98193000	£ 3,30	1
5	screw cover	95704000	£ 3,30	1
6	nut	93591000	£ 137,00	1
7	O-ring 24x2	98388000	£ 3,30	1
8	shower hose	93506000	£ 137,00	1
9	insert for shower holder	96942000	£ 13,30	1
10	O-ring 9x2	98119000	£ 3,30	1
11	non return valve DW 10	96456000	£ 9,00	1
12	handle	93590000	£ 370,00	1
13	O-ring 52x1,5	98200000	£ 6,10	1
14	escutcheon for handle	93587000	£ 445,00	1
15	hollow set screw M6x5	98447000	£ 3,30	1
16	nut	93592000	£ 64,00	1
17	cartridge, assy	93185000	£ 137,00	1
18	seal	95008000	£ 9,00	1
19	spout cpl.	93586000	£ 2.330,00	1
20	aerator M24x1 (30 l/min)	93584000	£ 64,00	1
21	O-ring 22x1,2	98397000	-	1
22	diverter knob	93583000	£ 370,00	1
23	hollow set screw M6x6	97660000	£ 3,30	1
24	selector assy	93589000	£ 137,00	1
25	O-Ring 14x2,5	98189000	£ 3,30	1
26	O-Ring 23x2,5	98183000	£ 3,30	1
27	O-Ring 22x2	98185000	£ 3,30	1
28	O-ring 9x2,5	98217000	£ 3,30	1