

AXOR Edge
Bath spout
 Finish: **Chrome** Article Number: **46410000**



product features

- 1 function
- projection: 190 mm
- wall-mounted
- maximum flow rate at 3 bar: 23 l/min
- connection dimension: G 1/2
- spray type: normal spray
- WRAS 1907329

Article Details

Price excl. VAT 641,67 £

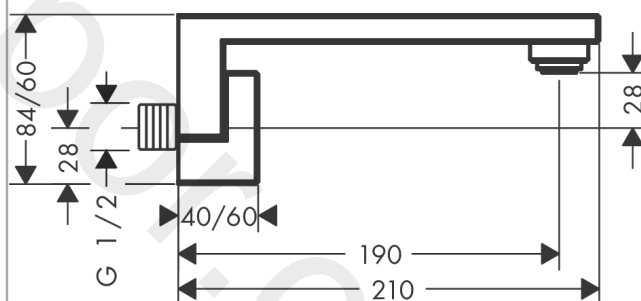
Technology



Product image



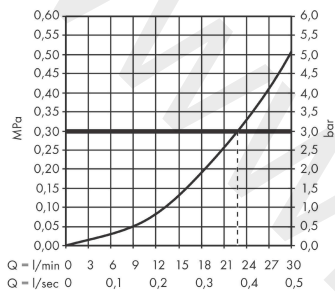
Scale drawing



AXOR Edge
Bath spout
Finish: **Chrome** Article Number: **46410000**



Flowchart



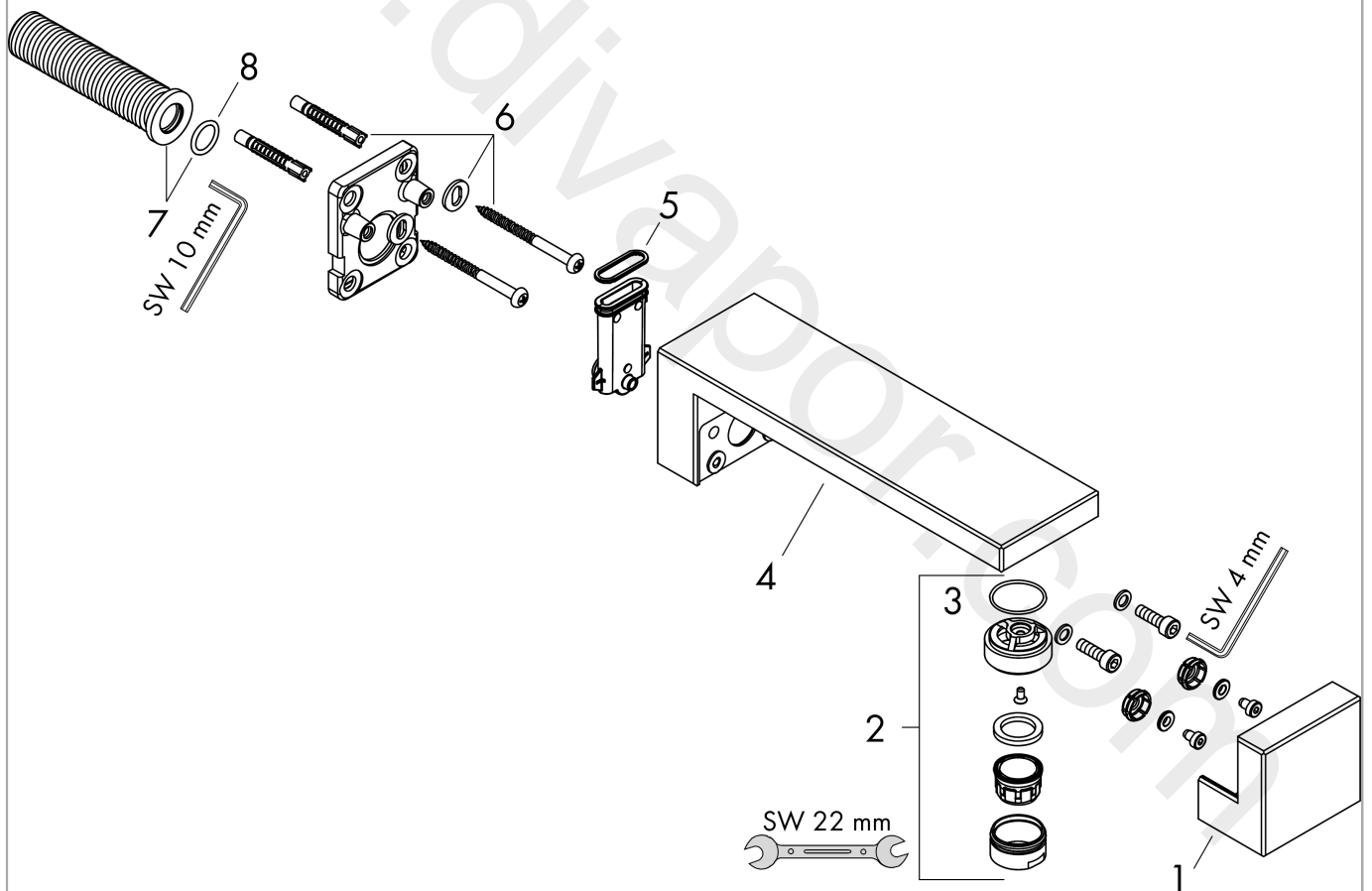
The consumption was measured in combination with the appropriate fittings (thermosta/mixer/
in-wall valve) to reflect actual application in practice.

AXOR Edge
Bath spout
Finish: **Chrome** Article Number: **46410000**



Exploded Drawing

Year of production: >04/19



AXOR Edge
Bath spout
 Finish: **Chrome** Article Number: **46410000**



Spare part list

Year of production: >04/19

Pos.		Article Number	Price	PU
1	cover	93627000	£ 585,00	1
2	aerator laminar M24x1 C	93656000	£ 64,00	1
3	O-ring 22x1,2	98397000	-	1
4	spout cpl.	93626000	£ 830,00	1
5	O-ring 18x2	98181000	£ 6,10	1
6	mounting set	96179000	£ 13,30	1
7	connecting thread G½	93625000	£ 64,00	1
8	O-ring 12x2	98214000	£ 3,30	1