

AXOR Edge

Thermostat for exposed/ concealed installation for 2 functions - diamond cut

Finish: **Chrome** Article Number: **46241000**



product features

- 2 functions
- simultaneous use of several outlets
- Select push-button on/off control for 2 outlets
- depending on volume flow and installation situation approx. 50% flow rate reduction
- thermostat cartridge
- maximum flow rate at 3 bar: 24 l/min
- min. operating pressure: 1 bar
- max. operating pressure: 10 bar
- safety stop at 40 °C
- temperature limitation adjustable
- non-return valve
- shelf made of safety glass
- surface shelf: frosted grey glass
- connection dimension: DN15
- connection type: basic set
- thermostat is delivered with buttons hand shower and Rain large
- WRAS 2205006
- WRAS 2205006 - WRAS Approval Letter

Article Details

Price excl. VAT

2.508,33 £

Technology



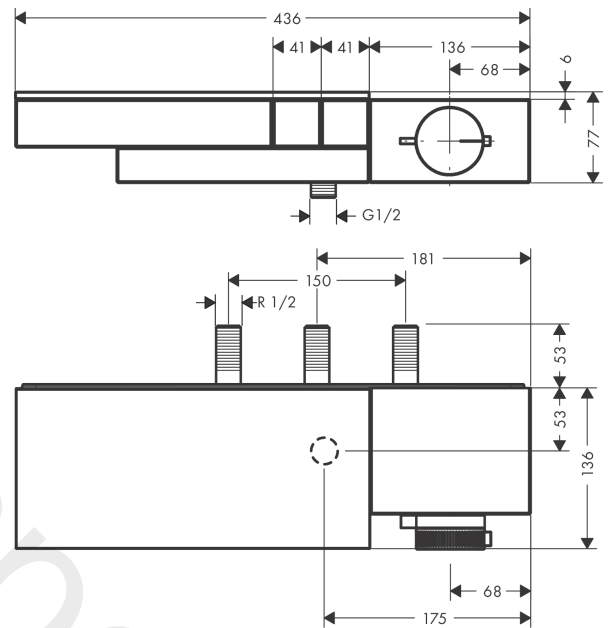
AXOR Edge
Thermostat for exposed/ concealed installation for 2 functions - diamond cut
 Finish: **Chrome** Article Number: **46241000**



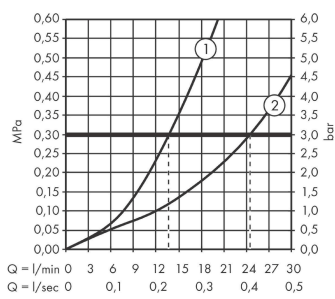
Product image



Scale drawing



Flowchart



- ① Shower outlet with 1B-resistance
- ② Free flow

AXOR Edge

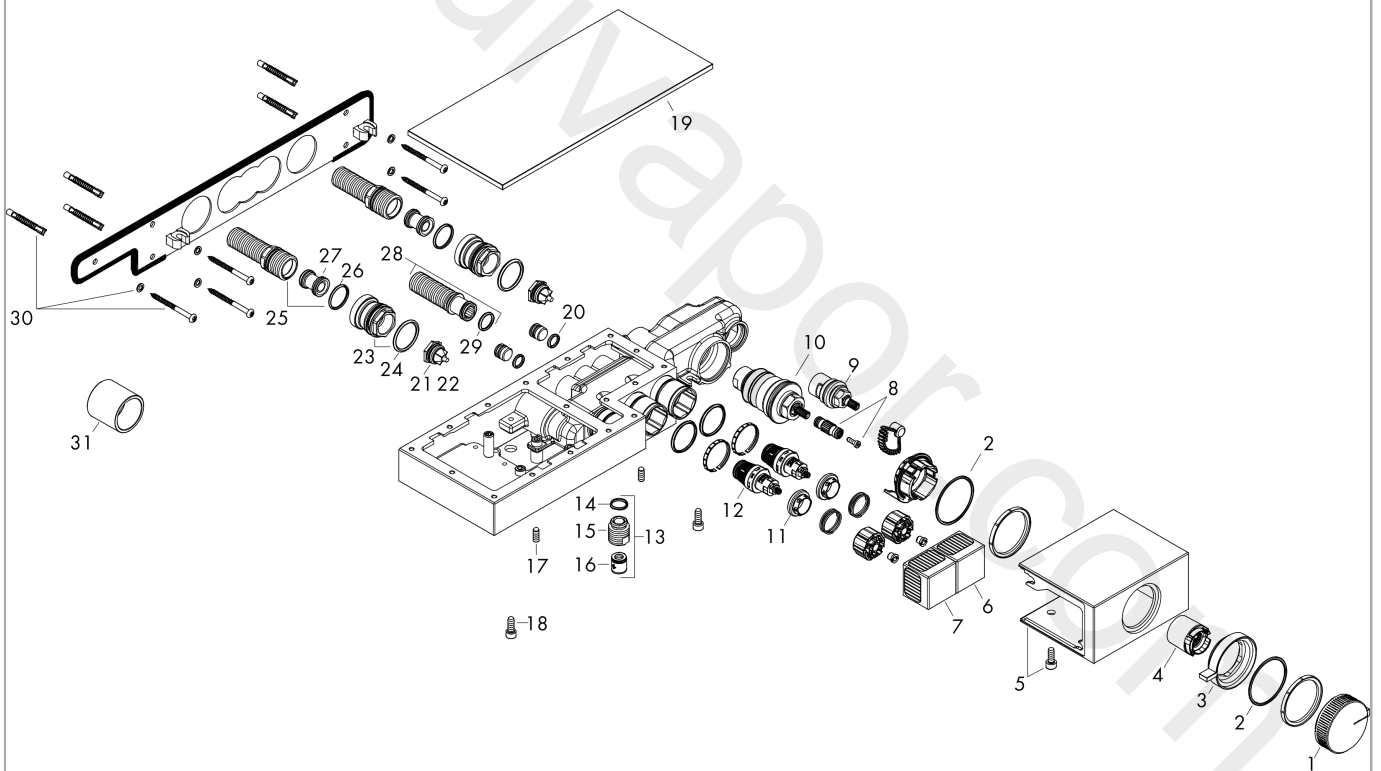
Thermostat for exposed/ concealed installation for 2 functions - diamond cut

Finish: **Chrome** Article Number: **46241000**



Exploded Drawing

Year of production: >06/19



AXOR Edge

Thermostat for exposed/ concealed installation for 2 functions - diamond cut

Finish: **Chrome** Article Number: **46241000**



Spare part list

Year of production: >06/19

Pos.		Article Number	Price	PU
1	handle for thermostat	93610000	£ 275,00	1
2	O-Ring 50x2	98187000	£ 3,30	1
3	handle	93614000	£ 275,00	1
4	sleeve	93613000	£ 20,50	1
5	cover	93615000	-	1
6	symbol handshower	93607000	£ 370,00	1
7	symbol head shower Rain small	93608000	£ 370,00	1
8	adapter for handle	93611000	£ 96,00	1
9	shut off unit	98536000	£ 79,00	1
10	thermostat cartridge	96633000	£ 137,00	1
11	nut	98368000	£ 13,30	1
12	shut off unit	95758000	£ 110,00	1
13	Hose Connection	96044000	£ 25,00	1
14	O-ring 14x2	98129000	£ 3,30	1
15	connecting thread	95392000	£ 20,50	1
16	set of non return valves DW 15	94074000	£ 16,10	1
17	hollow set screw M6x16 including o-ring 29x3	98372000	£ 9,00	1
18	hexagon socket screw M6x16	92857000	£ 3,30	1
19	shelf	93616000	£ 137,00	1
20	O-ring 11x2	98127000	£ 3,30	1
21	non return valve (pressure-resistant up to 2 MPa)	95773000	£ 35,00	1
22	O-ring 17x2	98199000	£ 3,30	1
23	adapter for ball S - union	02026000	£ 51,00	1
24	O-ring 29x3	98371000	£ 6,10	1
25	set of connecting threads	93231000	£ 64,00	1
26	O-ring 23x2	98398000	£ 3,30	1
27	noise reduction	96429000	£ 6,10	1
28	connecting thread	93232000	£ 43,00	1
29	O-ring 15x2,5	98131000	£ 3,30	1
30	mounting set	92841000	£ 9,00	1
31	fit-up aid	93612000	£ 79,00	1