

AXOR Edge

3-hole basin mixer for concealed installation wall-mounted with spout 190 mm and push-open waste set - diamond cut

Finish: **Chrome** Article Number: **46061000**



product features

- consists of: 3-hole basin mixer, waste set
- projection: 190 mm
- handle variant: lever handle
- spray type: normal spray
- maximum flow rate at 3 bar: 5 l/min
- ceramic valves hot/cold 90°
- suitable for continuous flow water heaters
- push-open waste set G 1¼
- material waste set: metal
- connection type: basic set
- connection dimension: DN15
- EU taxonomy: max. 6 l/min - Substantial Contribution (SC)

Article Details

Price excl. VAT

1.475,00 £

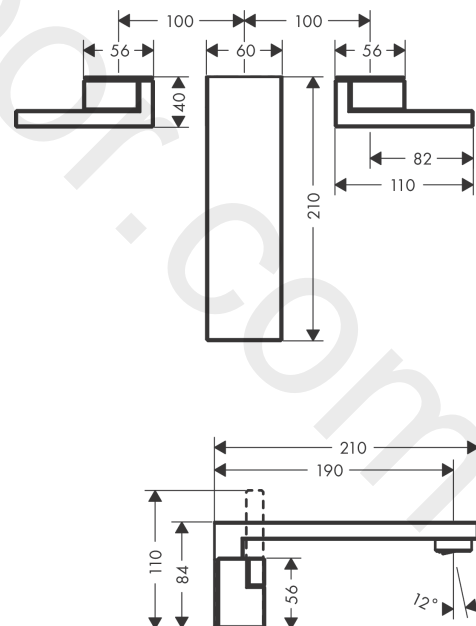
Technology



Product image



Scale drawing



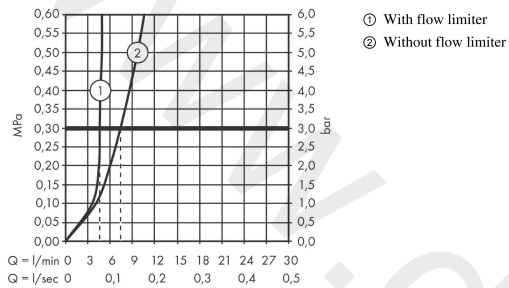
AXOR Edge

3-hole basin mixer for concealed installation wall-mounted with spout 190 mm and push-open waste set - diamond cut

Finish: **Chrome** Article Number: **46061000**



Flowchart

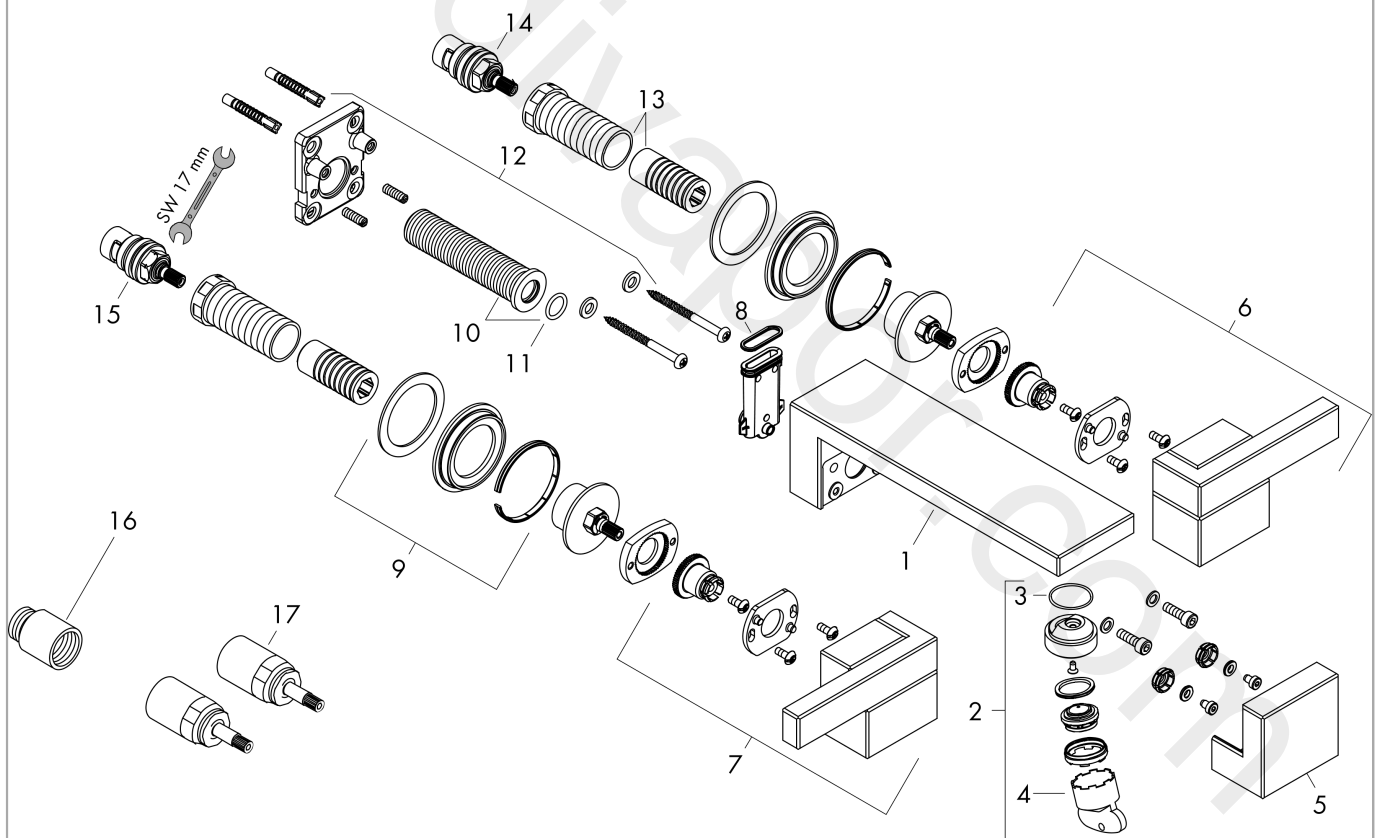


AXOR Edge
3-hole basin mixer for concealed installation wall-mounted with spout 190 mm and push-open
waste set - diamond cut
Finish: **Chrome** Article Number: **46061000**



Exploded Drawing

Year of production: >06/19



AXOR Edge

3-hole basin mixer for concealed installation wall-mounted with spout 190 mm and push-open waste set - diamond cut

Finish: **Chrome** Article Number: **46061000**



Spare part list

Year of production: >06/19

Pos.		Article Number	Price	PU
1	spout cpl.	93626000	£ 830,00	1
2	aerator M24x1 (5 l/min)	93426000	£ 79,00	1
3	O-ring 22x1,2	98397000	-	1
4	service tool	95661000	£ 6,10	1
5	cover	93627000	£ 585,00	1
6	handle for cold water	93623000	£ 1.190,00	1
7	handle for hot water	93624000	£ 1.190,00	1
8	O-ring 18x2	98181000	£ 6,10	1
9	escutcheon	93510000	£ 51,00	1
10	connecting thread G½	93625000	£ 64,00	1
11	O-ring 12x2	98214000	£ 3,30	1
12	mounting set	96179000	£ 13,30	1
13	fixing set	96393000	£ 35,00	1
14	shut off unit right closing	96350000	£ 51,00	1
15	shut off unit left closing	96351000	£ 51,00	1
16	extension 25 mm	95413000	£ 79,00	1
17	extension 25 mm	96259000	£ 79,00	1
a	base body	10303180	£ 300,00	1
b	pop up waste	51301000	£ 87,00	1