

**AXOR Edge**  
**3-hole basin mixer 130 with push-open waste set - diamond cut**  
 Finish: **Chrome** Article Number: **46051000**



### product features

- consists of: 3-hole basin mixer, waste set
- ComfortZone 130
- projection: 173 mm
- spout height: 130 mm
- handle variant: lever handle
- spray type: normal spray
- maximum flow rate at 3 bar: 5 l/min
- ceramic valves hot/cold 90°
- suitable for continuous flow water heaters
- push-open waste set G 1¼
- material waste set: metal
- connection type: G ¾ connections
- connection dimension: DN15
- EU taxonomy: max. 6 l/min - Substantial Contribution (SC)
- WRAS\_2001334
- WRAS\_2001334 - 20200207\_WRAS\_approval\_letter\_33164

### Article Details

Price excl. VAT 1.666,67 £

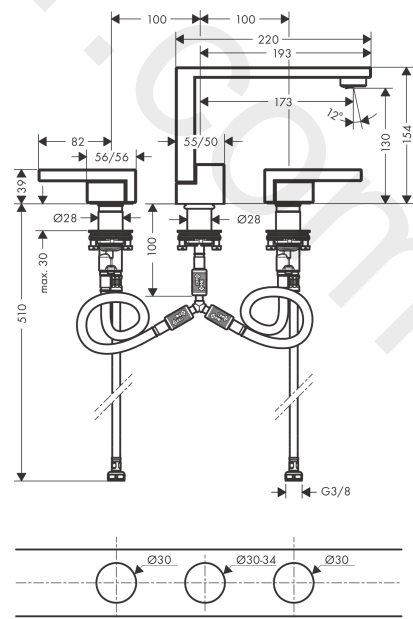
### Technology



### Product image



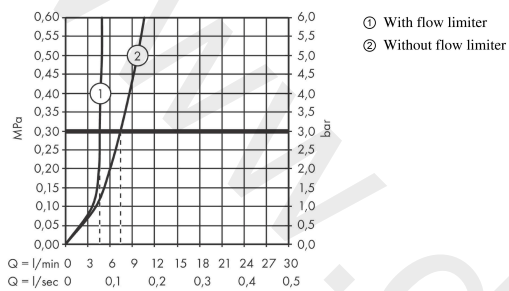
### Scale drawing



**AXOR Edge**  
**3-hole basin mixer 130 with push-open waste set - diamond cut**  
 Finish: **Chrome**    Article Number: **46051000**



## Flowchart

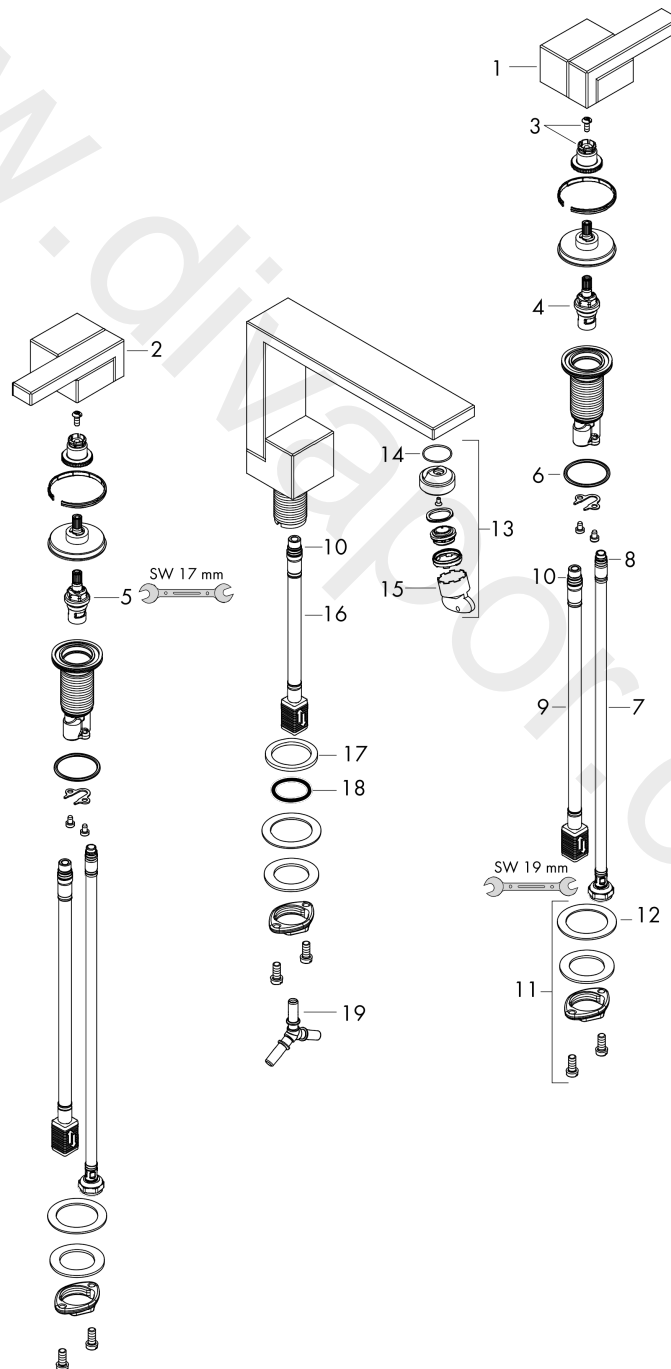


**AXOR Edge**  
**3-hole basin mixer 130 with push-open waste set - diamond cut**  
 Finish: **Chrome** Article Number: **46051000**



## Exploded Drawing

Year of production: >07/19



**AXOR Edge**  
**3-hole basin mixer 130 with push-open waste set - diamond cut**  
 Finish: **Chrome** Article Number: **46051000**



## Spare part list

Year of production: >07/19

Pos.		Article Number	Price	PU
1	handle for cold water	93620000	-	1
2	handle for hot water	93619000	-	1
3	handle fixing set	94184000	£ 6,10	1
4	shut off unit right closing	98817000	£ 35,00	1
5	shut off unit left closing	95366000	£ 43,00	1
6	O-ring 33x2,5	92907000	£ 3,30	1
7	connection hose 400 mm M10x1	92914000	£ 64,00	1
8	O-ring 8x1,75	97827000	£ 3,30	1
9	connection hose 450 mm M8x0,75 G3/8	97206000	£ 35,00	1
10	O-ring 7x1,5	98422000	£ 3,30	1
11	fixing set (Ø 28)	92909000	£ 43,00	1
12	lever collar	97548000	£ 3,30	1
13	aerator M24x1 (5 l/min)	93426000	£ 79,00	1
14	O-ring 22x1,2	98397000	-	1
15	service tool	95661000	£ 6,10	1
16	connection hose 200 mm M10x1	92913000	£ 51,00	1
17	flat seal	98749000	£ 6,10	1
18	O-ring 26x4	92191000	-	1
19	hose connection angel	92905000	£ 43,00	1
a	push-open waste set	51300000	£ 94,00	1