

AXOR Edge
Single lever basin mixer floor-standing with push-open waste set
 Finish: **Chrome** Article Number: **46040000**



product features

- consists of: single lever basin mixer, waste set
- projection: 235 mm
- handle variant: lever handle
- spray type: normal spray
- maximum flow rate at 3 bar: 5 l/min
- ceramic cartridge
- temperature limitation adjustable
- suitable for continuous flow water heaters
- push-open waste set G 1¼
- material waste set: metal
- connection type: basic set
- connection dimension: DN15
- EU taxonomy: max. 6 l/min - Substantial Contribution (SC)
- WRAS 1907355

Article Details

Price excl. VAT 2.341,67 £

Technology



Design awards



reddot award 2019
best of the best

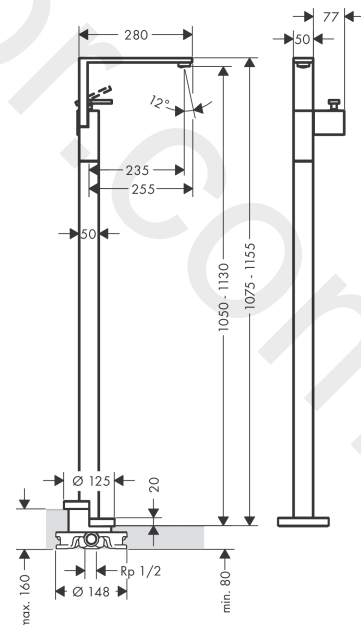


GERMAN DESIGN AWARD WINNER 2020

Product image



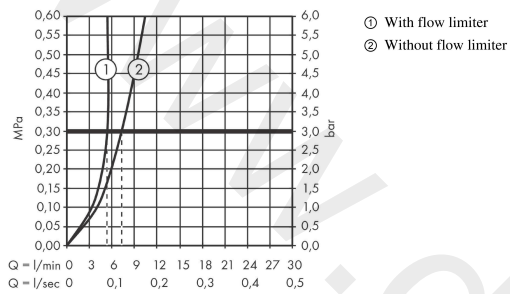
Scale drawing



AXOR Edge
Single lever basin mixer floor-standing with push-open waste set
 Finish: **Chrome** Article Number: **46040000**



Flowchart

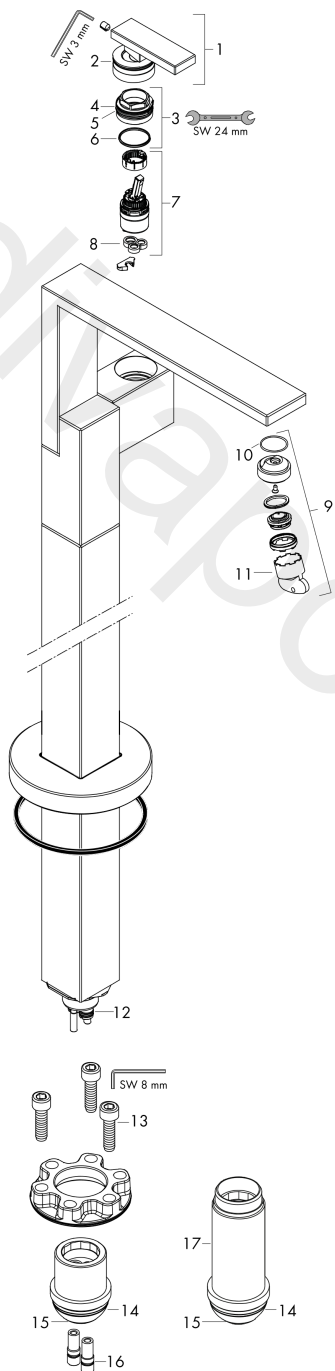


AXOR Edge
Single lever basin mixer floor-standing with push-open waste set
Finish: **Chrome** Article Number: **46040000**



Exploded Drawing

Year of production: >04/19



AXOR Edge
Single lever basin mixer floor-standing with push-open waste set
 Finish: **Chrome** Article Number: **46040000**



Spare part list

Year of production: >04/19

Pos.		Article Number	Price	PU
1	handle	93424000	£ 275,00	1
2	O-ring 33x1,5	98164000	£ 3,30	1
3	nut	92926000	£ 16,10	1
4	O-ring 30x1,5	98433000	£ 3,30	1
5	O-ring 29x2	98391000	£ 3,30	1
6	O-ring 25x1,5	98146000	£ 3,30	1
7	cartridge, assy	92900000	£ 64,00	1
8	seal	93383000	£ 13,30	1
9	aerator M24x1 (5 l/min)	93426000	£ 79,00	1
10	O-ring 22x1,2	98397000	-	1
11	service tool	95661000	£ 6,10	1
12	O-ring 9x1,5	98117000	£ 3,30	1
13	hexagon socket screw M10x35	97670000	£ 16,10	1
14	O-ring 44x2,5	98162000	£ 3,30	1
15	O-ring 29x3	98371000	£ 6,10	1
16	O-ring 7x2	98419000	£ 3,30	1
17	extension set 60 mm	97686000	£ 320,00	1
a	push-open waste set	51300000	£ 94,00	1