

AXOR Edge

Single lever basin mixer 280 for wash bowls with push-open waste set - diamond cut 2 ticks

Finish: **Chrome** Article Number: **46032009**



product features

- consists of: single lever basin mixer, waste set
- ComfortZone 280
- projection: 180 mm
- spout height: 282 mm
- handle variant: lever handle
- spray type: normal spray
- maximum flow rate at 3 bar: 3 l/min
- ceramic cartridge
- temperature limitation adjustable
- suitable for continuous flow water heaters
- push-open waste set G 1¼
- material waste set: metal
- connection type: G ½ connections
- connection dimension: DN15

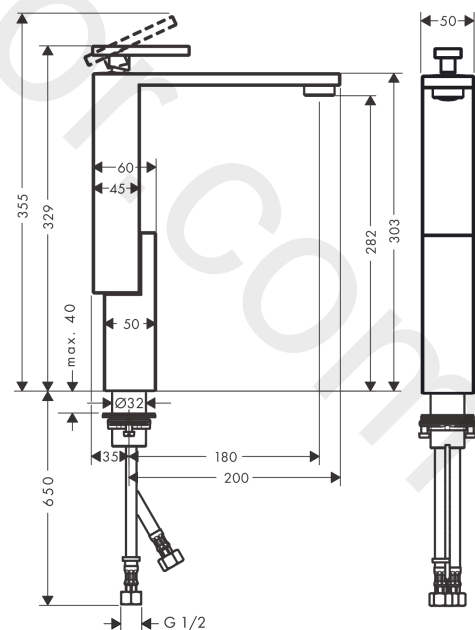
Technology



Product image



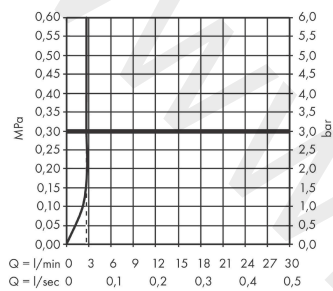
Scale drawing



AXOR Edge
Single lever basin mixer 280 for wash bowls with push-open waste set - diamond cut 2 ticks
Finish: **Chrome** Article Number: **46032009**



Flowchart

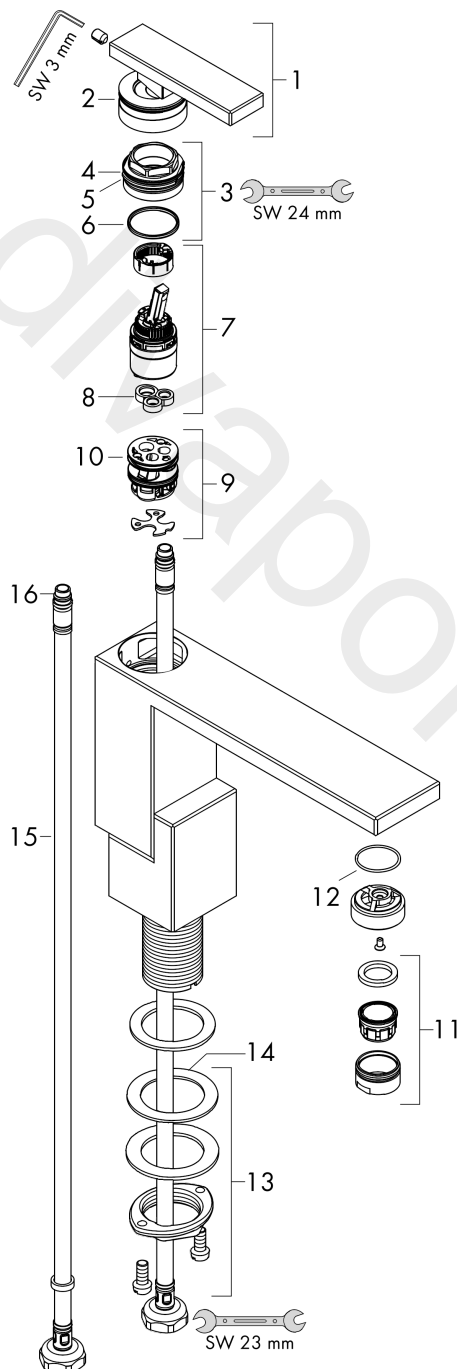


AXOR Edge
Single lever basin mixer 280 for wash bowls with push-open waste set - diamond cut 2 ticks
Finish: **Chrome** Article Number: **46032009**



Exploded Drawing

Year of production: >04/20



AXOR Edge

Single lever basin mixer 280 for wash bowls with push-open waste set - diamond cut 2 ticks

Finish: **Chrome** Article Number: **46032009**



Spare part list

Year of production: >04/20

Pos.		Article Number	Price	PU
1	handle	93422000	£ 275,00	1
2	O-ring 33x1,5	98164000	£ 3,30	1
3	nut	92926000	£ 16,10	1
4	O-ring 25x1,5	98146000	£ 3,30	1
5	O-ring 30x1,5	98433000	£ 3,30	1
6	O-ring 29x2	98391000	£ 3,30	1
7	cartridge, assy	92900000	£ 64,00	1
8	seal	93383000	£ 13,30	1
9	adapter for cartridge	98866000	£ 35,00	1
10	O-ring 23x2	98398000	£ 3,30	1
11	O-ring 22x1,2	98397000	-	1
12	aerator M24x1 (3,8 l/min)	93828000	£ 64,00	1
13	fixing set (Ø 32)	13961000	£ 25,00	1
14	lever collar	97548000	£ 3,30	1
15	connection hose 900 mm M8x0,75 G½	97489000	£ 35,00	1
16	O-ring 6,6x1,6	93019000	£ 3,30	1
a	push-open waste set	51300000	£ 94,00	1
b	fixation extension 35 mm	13898000	£ 79,00	1