

AXOR One
Shut-off valve for concealed installation
 Finish: **Polished Gold Optic** Article Number: **45771990**



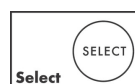
product features

- comfortable turning on / off of consumers with large Select-paddle
- connection type: basic set
- 1 function
- connection dimension: DN15
- material: metal
- WRAS 2201038
- WRAS 2201038 - Approval letter

Article Details

Price excl. VAT 525,00 £

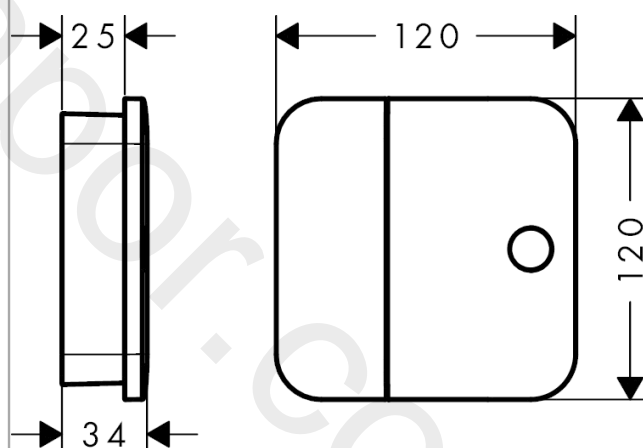
Technology



Product image



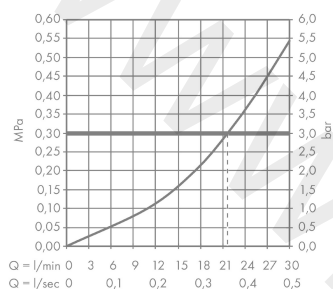
Scale drawing



AXOR One
Shut-off valve for concealed installation
 Finish: **Polished Gold Optic** Article Number: **45771990**



Flowchart

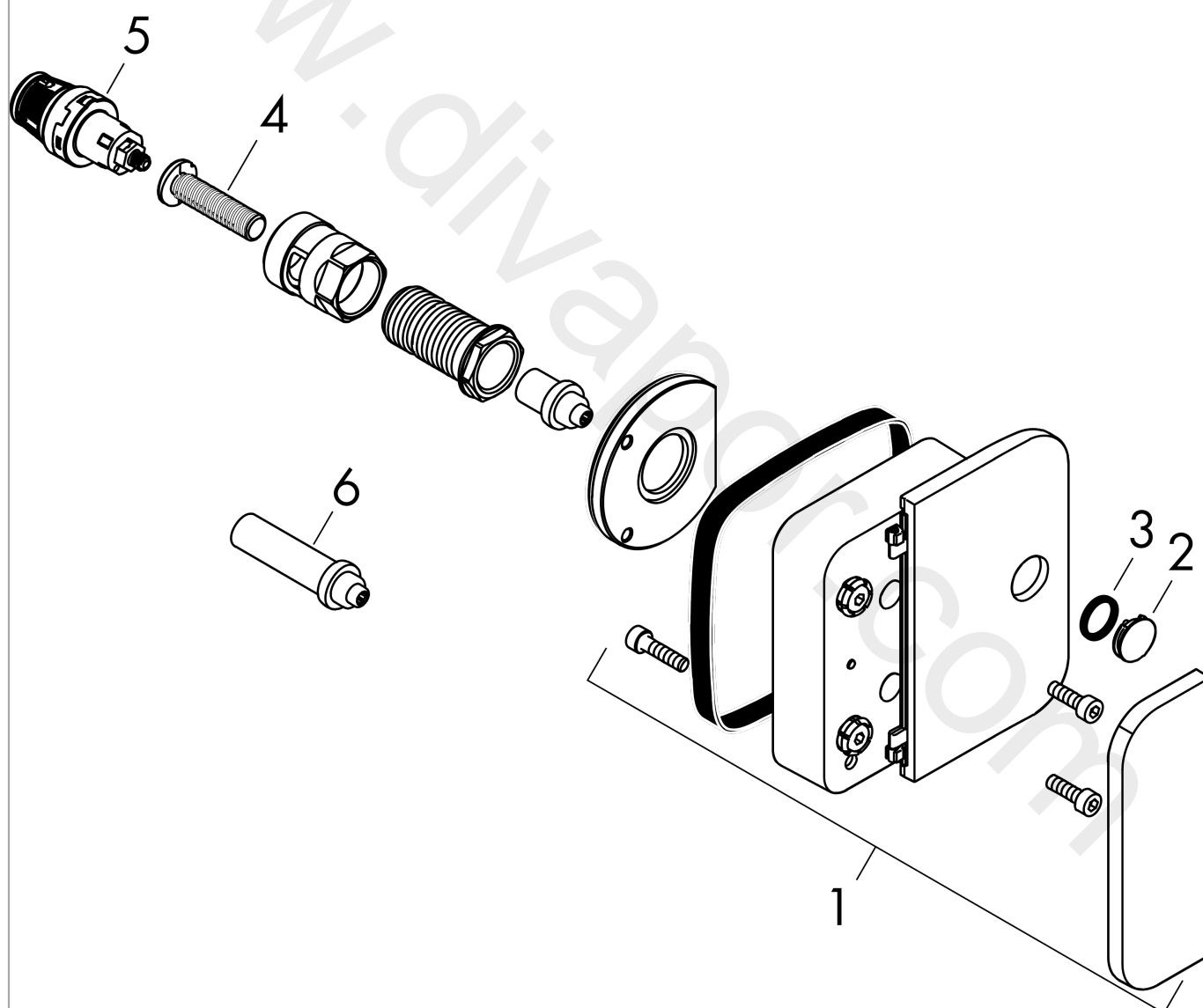


AXOR One
Shut-off valve for concealed installation
Finish: **Polished Gold Optic** Article Number: **45771990**



Exploded Drawing

Year of production: >11/16



AXOR One
Shut-off valve for concealed installation
 Finish: **Polished Gold Optic** Article Number: **45771990**



Spare part list

Year of production: >11/16

Pos.		Article Number	Price	PU
1	escutcheon with handle	92743990	£ 555,00	1
2	set of symbols	92541990	£ 163,00	1
3	O-ring 13x2	98128000	£ 3,30	1
4	Select-adapter	92219000	£ 6,10	1
5	shut off unit	95758000	£ 110,00	1
6	extension 25 mm	93421000	£ 64,00	1
a	base body	45770180	£ 275,00	1