

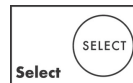
**AXOR One**  
**Thermostatic module for concealed installation for 1 function**  
 Finish: **Matt Black** Article Number: **45711673**



### product features

- 1 function and 1 additional outlet
- comfortable turning on / off of outlets with large Select-paddle
- thermostat cartridge, Start/stop valve to operate the functions, ceramic valves 90°
- maximum flow rate at 3 bar: 24 l/min
- flow rate per outlet: 24 l/min
- min. operating pressure: 1 bar
- max. operating pressure: 10 bar
- Safety stop at 40 °C
- temperature limitation adjustable
- the thermostat offers the possibility for thermal disinfection
- non-return valve
- connection type: basic set
- thermostat is delivered with button hand shower

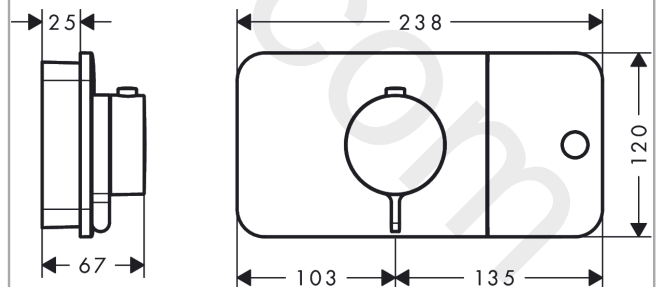
### Technology



### Product image



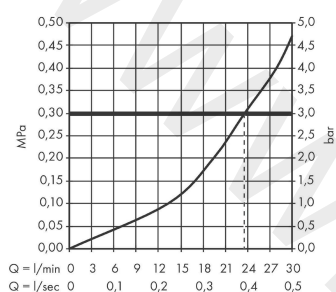
### Scale drawing



**AXOR One**  
**Thermostatic module for concealed installation for 1 function**  
Finish: **Matt Black** Article Number: **45711673**



## Flowchart

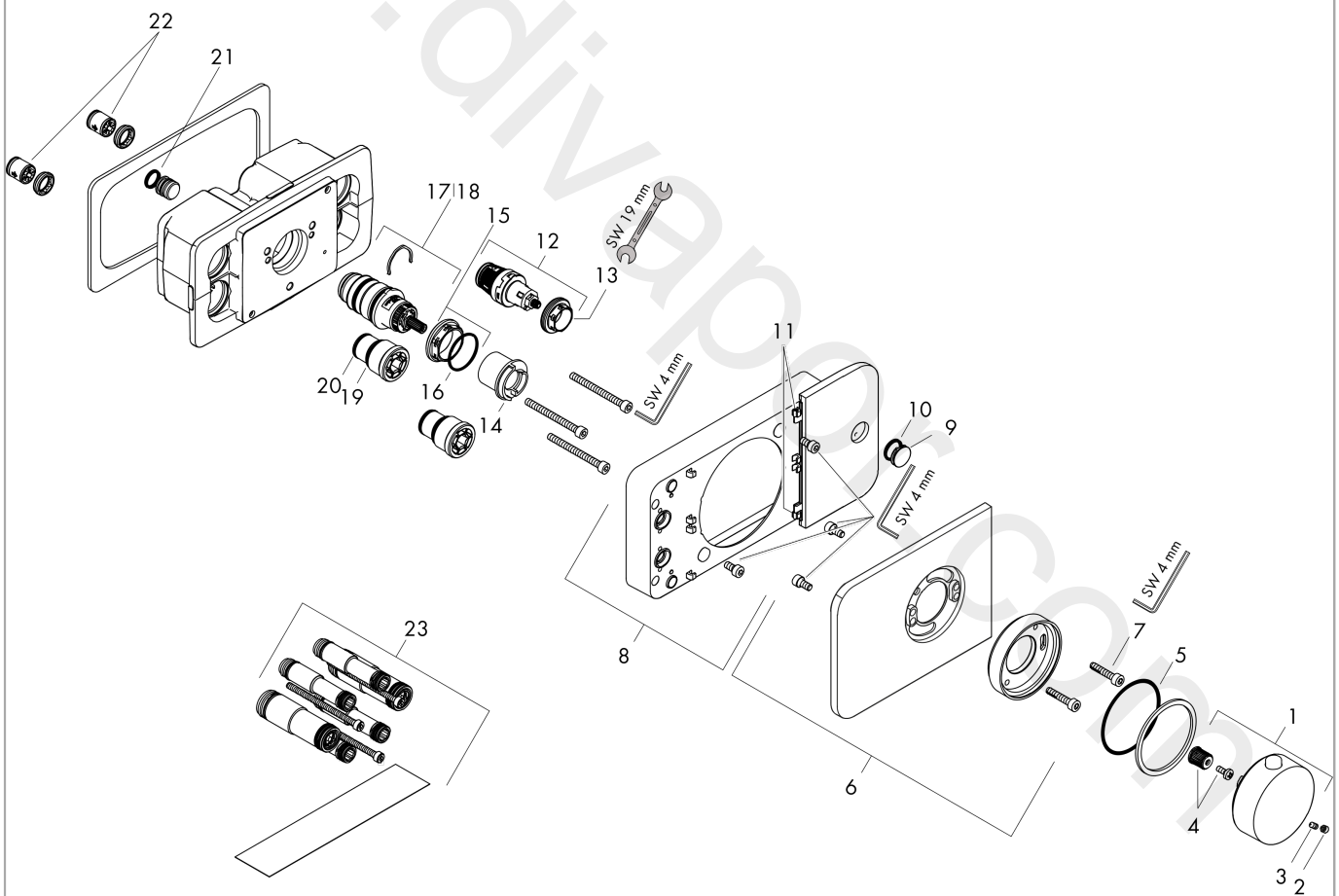


**AXOR One**  
**Thermostatic module for concealed installation for 1 function**  
Finish: **Matt Black**    Article Number: **45711673**



## Exploded Drawing

Year of production: >06/17



**AXOR One**  
**Thermostatic module for concealed installation for 1 function**  
 Finish: **Matt Black** Article Number: **45711673**



## Spare part list

Year of production: >06/17

Pos.		Article Number	Price	PU
1	handle for thermostat	92600003	-	1
2	screw cover	95181000	£ 3,30	1
3	hollow set screw M4x8	97669000	£ 3,30	1
4	handle fixing set	98932000	£ 16,10	1
5	O-ring 57x2	98210000	£ 3,30	1
6	escutcheon	92598001	-	1
7	hexagon socket screw M5x25	97664000	£ 3,30	1
8	control panel	92611000	£ 275,00	1
9	set of symbols	92541000	£ 110,00	1
10	O-ring 13x2	98128000	£ 3,30	1
11	set of lever collars	93121000	£ 3,30	1
12	shut off unit	95758000	£ 110,00	1
13	nut	98368000	£ 13,30	1
14	safety set	92614000	£ 35,00	1
15	nut	98913000	£ 20,50	1
16	O-ring 26x1,5	98390000	£ 3,30	1
17	thermostat cartridge	98282001	-	1
18	cartridge for exchanged connections	92373000	£ 275,00	1
19	O-ring 21x1,5	98219000	£ 3,30	1
20	O-ring 17x1,5	98137000	£ 3,30	1
21	O-ring 11x2	98127000	£ 3,30	1
22	non return valve	97980000	£ 16,10	1
23	extension 25 mm	45790000	£ 305,00	1