

AXOR One
Basic set for thermostatic module for concealed installation
 Finish: n.a. Article Number: **45710180**



product features

- 2 inlets/4 outlets
- all outlets can be used simultaneously
- connection thread Rp 1/2
- sound-decoupled installation
- minimum mounting depth: 80 mm
- maximum mounting depth: 108 mm
- WRAS 2203012
- WRAS 2203012 - Approval letter

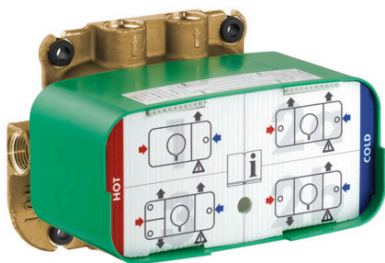
Article Details

Price excl. VAT 362,50 £

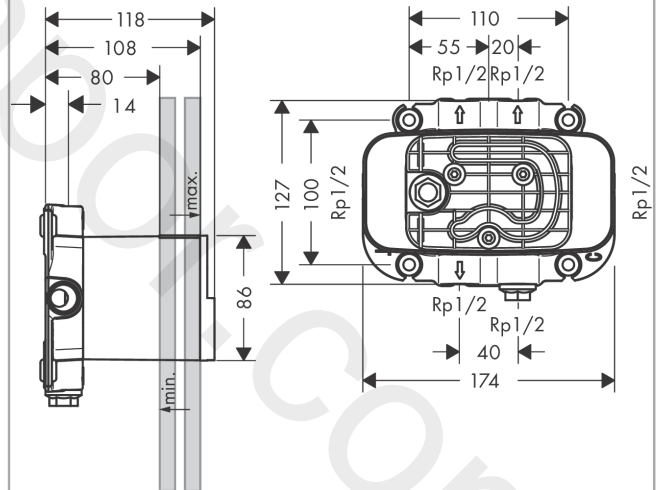
Certificates / Sustainability



Product image



Scale drawing

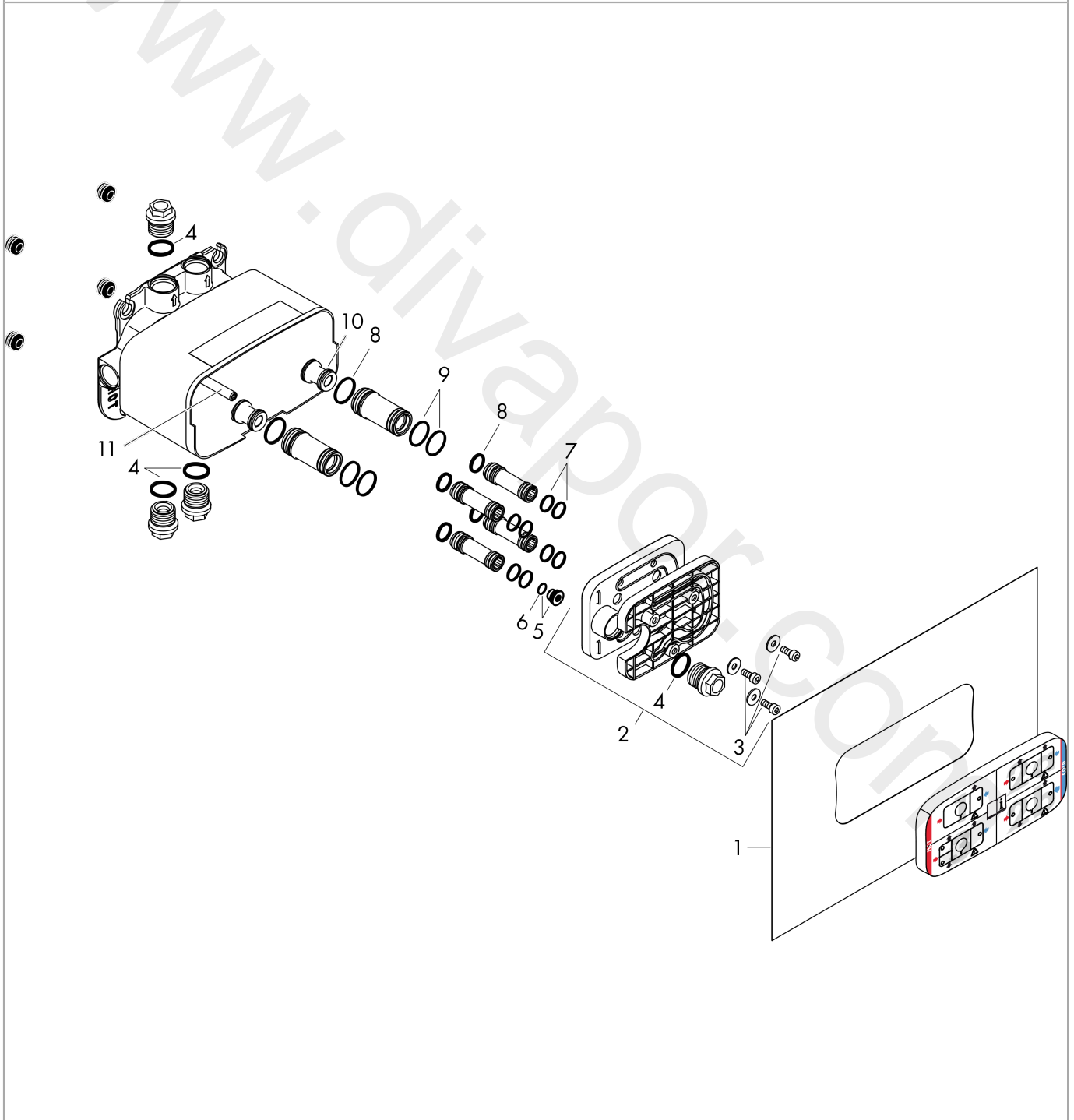


AXOR One
Basic set for thermostatic module for concealed installation
Finish: n.a. Article Number: 45710180



Exploded Drawing

Year of production: >10/15



AXOR One
Basic set for thermostatic module for concealed installation
 Finish: n.a. Article Number: **45710180**



Spare part list

Year of production: >10/15

Pos.		Article Number	Price	PU
1	sealing foil	92565000	£ 43,00	1
2	flushing unit complete	93160000	£ 43,00	1
3	hexagon socket screw M5x12	98639000	£ 3,30	1
4	O-ring 18x2	98181000	£ 6,10	1
5	plug	93017000	£ 64,00	1
6	O-ring 9x1,5	98117000	£ 3,30	1
7	O-ring 12x1,5	98430000	£ 3,30	1
8	O-ring 13x2	98128000	£ 3,30	1
9	O-ring 20x1,5	98197000	£ 3,30	1
10	noise reduction	96429000	£ 6,10	1
11	mounting kit	93179000	£ 51,00	1
a	extension 25 mm	45790000	£ 305,00	1