

Basic set for thermostat for exposed/ concealed installation for 2 functions

Finish: n.a. Article Number: 45442181



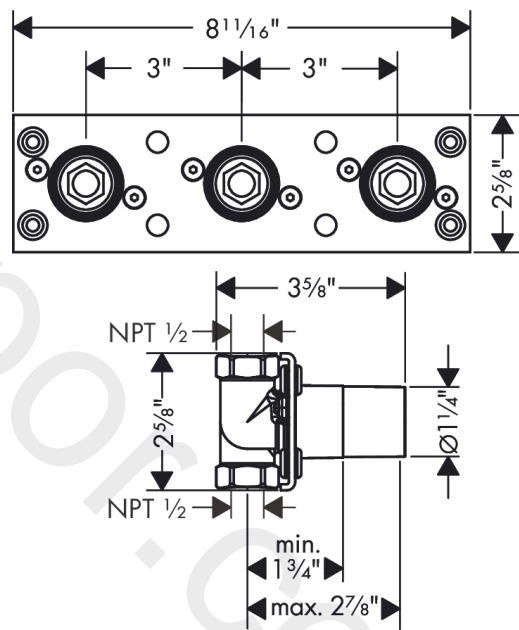
product features

- connection dimension: Rp 1/2
- sound-decoupled installation
- minimum mounting depth: 46 mm
- maximum mounting depth: 74 mm

Product image



Scale drawing



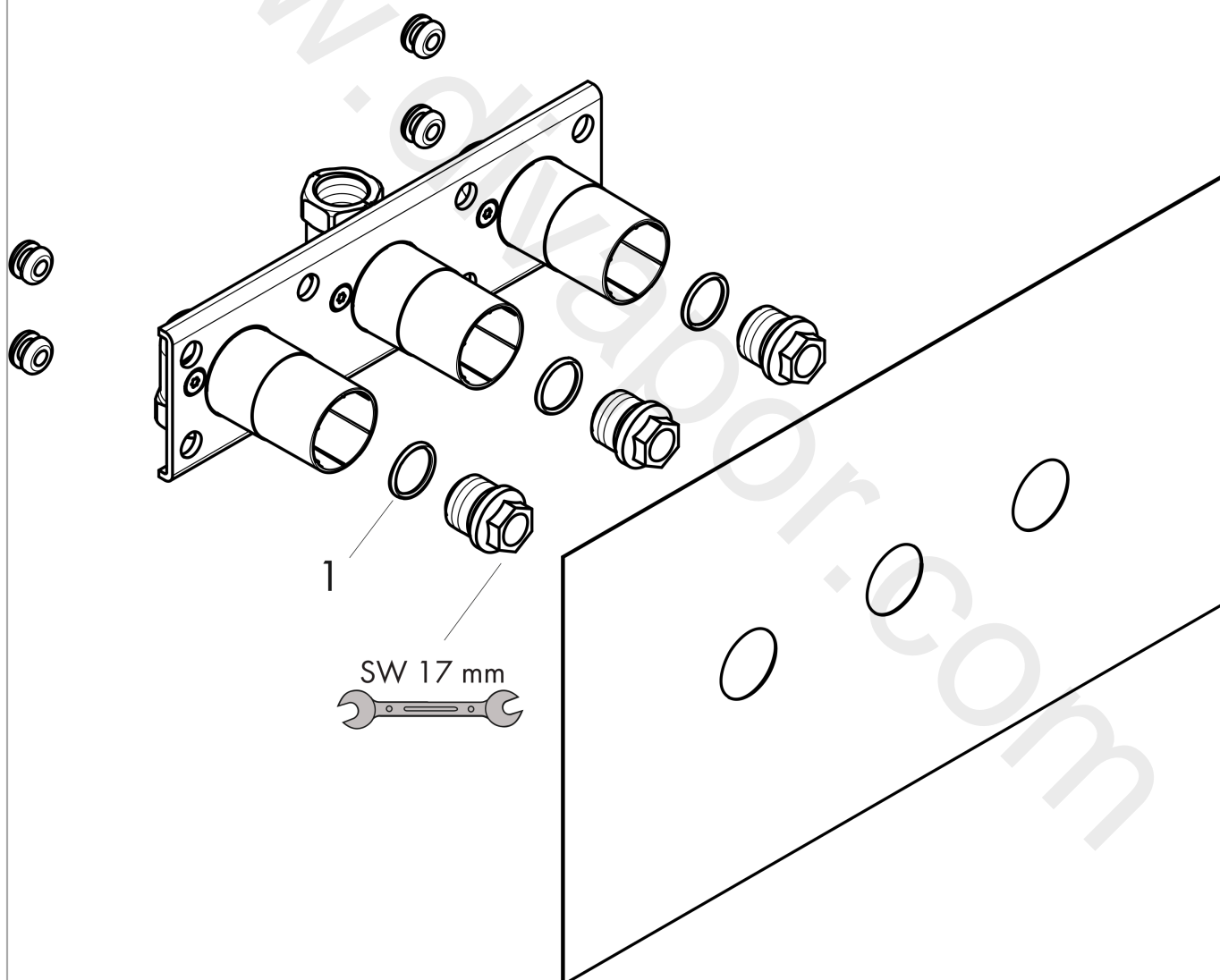
Basic set for thermostat for exposed/ concealed installation for 2 functions

Finish: n.a. Article Number: 45442181



Exploded Drawing

Year of production: >01/20



Basic set for thermostat for exposed/ concealed installation for 2 functions

Finish: n.a. Article Number: 45442181



Spare part list

Year of production: >01/20

Pos.		Article Number	Price	PU
1	O-ring 18x2	98181000	£ 6,10	1