

AXOR ShowerSolutions
Thermostat 800 for exposed/ concealed installation
 Finish: **Brushed Nickel** Article Number: **45440820**



product features

- 2 functions
- Start/stop valve to operate the functions, thermostat cartridge
- Select push-button on/off control for 2 outlets
- material handles: metal
- simultaneous use of several outlets
- maximum flow rate at 3 bar: 22 l/min
- flow rate hand shower connection at 3 bar: 13 l/min
- flow rate upper outlet: 22 l/min
- min. operating pressure: 1 bar
- max. operating pressure: 10 bar
- control of an external shower or bath tub filler via concealed connection G ½ possible
- safety stop at 40 °C
- temperature limitation adjustable
- non-return valve
- with silencer
- shelf made of safety glass
- surface shelf: mirror glass
- connection dimension: DN15
- dirt filter included
- Thermostat is delivered with buttons hand shower and overhead shower
- connection type: basic set
- WRAS 1904069

Article Details

Price excl. VAT 2.575,00 £

Technology



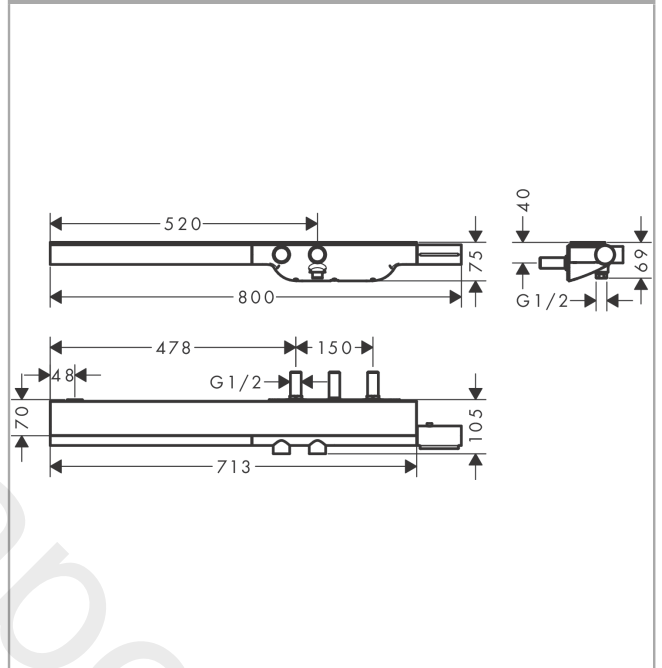
AXOR ShowerSolutions
Thermostat 800 for exposed/ concealed installation
 Finish: **Brushed Nickel** Article Number: **45440820**



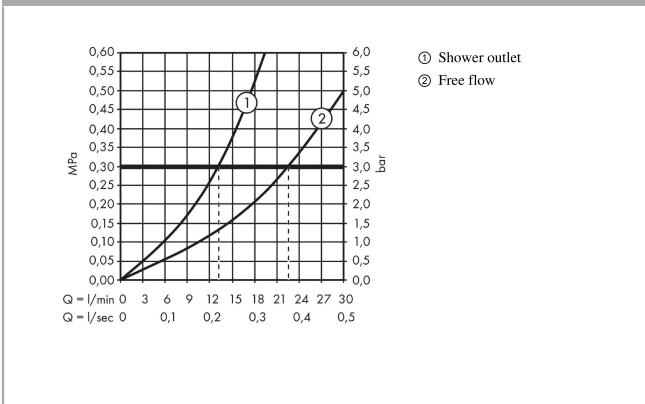
Product image



Scale drawing



Flowchart

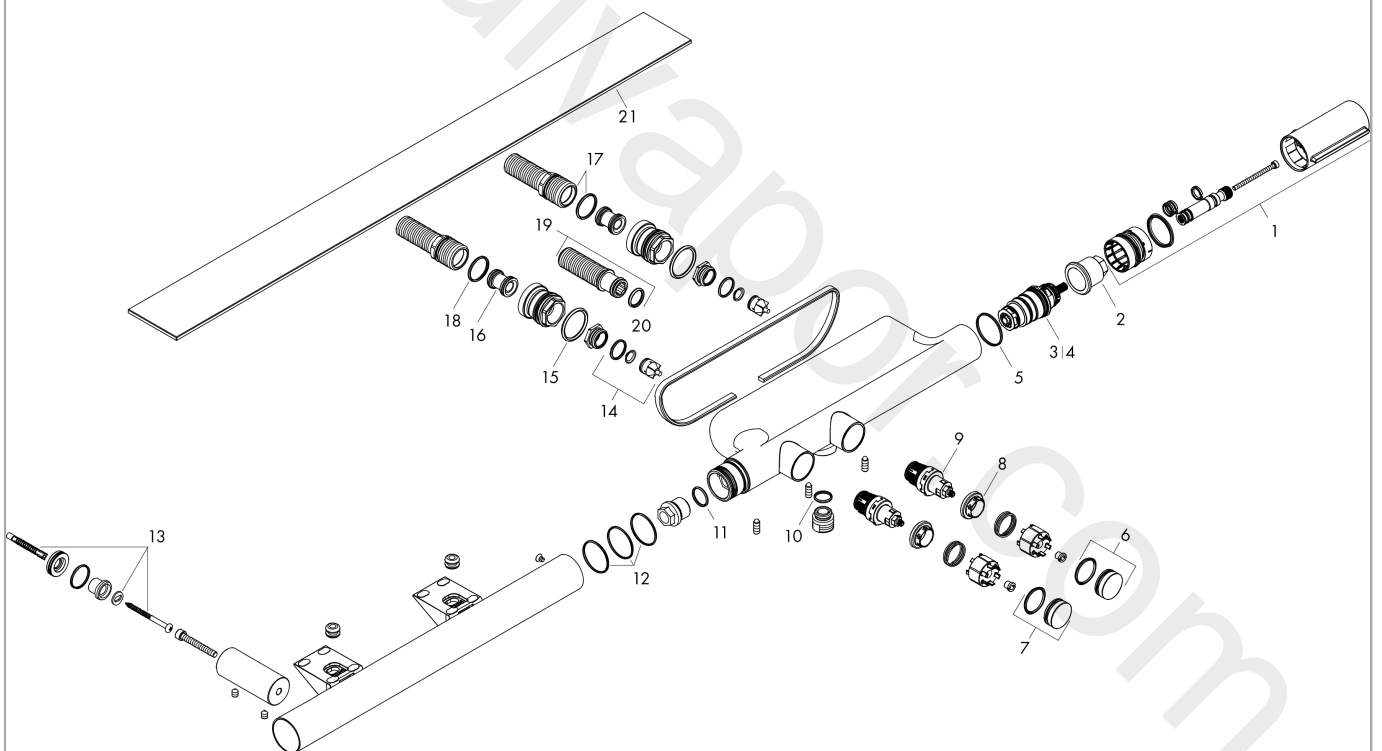


AXOR ShowerSolutions
Thermostat 800 for exposed/ concealed installation
Finish: **Brushed Nickel** Article Number: **45440820**



Exploded Drawing

Year of production: >10/17



AXOR ShowerSolutions
Thermostat 800 for exposed/ concealed installation
 Finish: **Brushed Nickel** Article Number: **45440820**



Spare part list

Year of production: >10/17

Pos.		Article Number	Price	PU
1	handle for thermostat	93291820	£ 142,00	1
2	nut	93294000	£ 43,00	1
3	thermostat cartridge	98282000	£ 110,00	1
4	cartridge for exchanged connections	92373000	£ 275,00	1
5	O-ring 32x1,5	92936000	£ 3,30	1
6	symbol handshower	93295820	£ 76,00	1
7	symbol head shower Rain large	93302820	£ 76,00	1
8	nut	98368000	£ 13,30	1
9	shut off unit	95758000	£ 110,00	1
10	O-ring 14x2	98129000	£ 3,30	1
11	O-ring 18x2	98181000	£ 6,10	1
12	O-ring 30x1,5	98433000	£ 3,30	1
13	mounting set	96179000	£ 13,30	1
14	non return valve (pressure-resistant up to 2 MPa)	95773000	£ 35,00	1
15	O-ring 29x3	98371000	£ 6,10	1
16	noise reduction	96429000	£ 6,10	1
17	set of connecting threads	93231000	£ 64,00	1
18	O-ring 23x2	98398000	£ 3,30	1
19	connecting thread	93232000	£ 43,00	1
20	O-ring 15x2,5	98131000	£ 3,30	1
21	shelf	93297000	£ 137,00	1
a	base body	45442180	£ 161,00	1