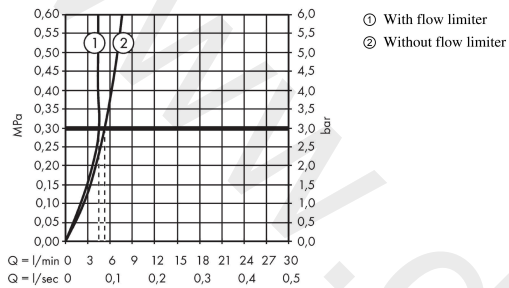




**AXOR Uno**  
**Basin mixer Select 220 with pop-up waste set**  
 Finish: **Brushed Nickel** Article Number: **45016820**



## Flowchart

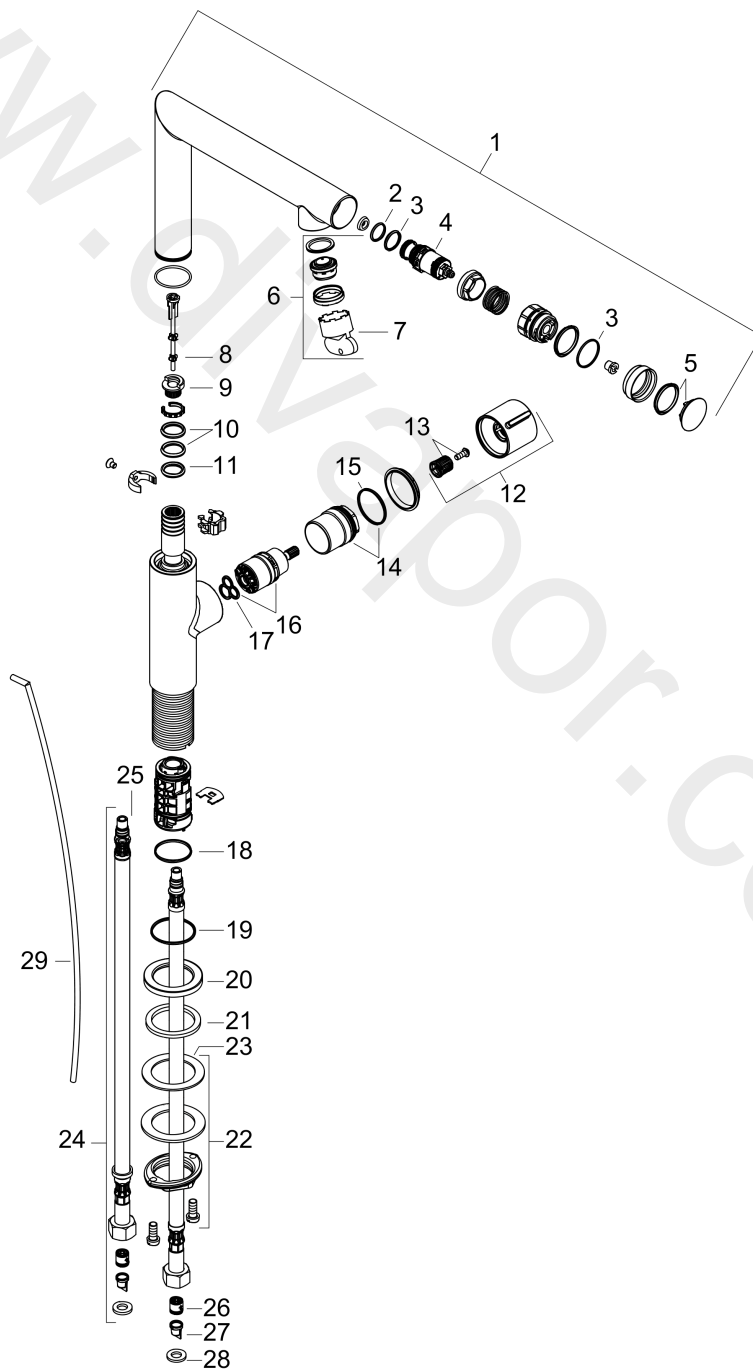


**AXOR Uno**  
**Basin mixer Select 220 with pop-up waste set**  
 Finish: **Brushed Nickel** Article Number: **45016820**



## Exploded Drawing

Year of production: >07/17



**AXOR Uno**  
**Basin mixer Select 220 with pop-up waste set**  
 Finish: **Brushed Nickel** Article Number: **45016820**



## Spare part list

Year of production: >07/17

Pos.		Article Number	Price	PU
1	spout cpl.	93122820	-	1
2	O-ring 13x1,5	98475000	£ 3,30	1
3	O-Ring 14x1,5	98201000	£ 3,30	1
4	shut off unit	92980000	£ 51,00	1
5	cover	92566820	£ 25,00	1
6	aerator M24x1 (5 l/min)	92996000	£ 35,00	1
7	service tool	95661000	£ 6,10	1
8	tappet	92505000	£ 6,10	1
9	set of locating rings (110° / 150°)	98486000	£ 16,10	1
10	O-Ring 14x2,5	98189000	£ 3,30	1
11	O-ring 11x3	92481000	£ 3,30	1
12	handle	93125820	-	1
13	handle fixing set	98932000	£ 16,10	1
14	nut	93086000	-	1
15	O-ring 27x1,5	92527000	£ 13,30	1
16	cartridge, assy	92970000	£ 64,00	1
17	seal	98865000	£ 35,00	1
18	O-ring 26x1,5	98390000	£ 3,30	1
19	O-ring 30x1,5	98433000	£ 3,30	1
20	escutcheon Ø 46 mm	95268820	£ 43,00	1
21	flat seal	98749000	£ 6,10	1
22	fixing set (Ø 32)	13961000	£ 25,00	1
23	lever collar	97548000	£ 3,30	1
24	connection hose 600 mm M8x0,75 G3/8	95664000	£ 35,00	1
25	O-ring 7x1,5	98422000	£ 3,30	1
26	non return valve DW 10	96456000	£ 9,00	1
27	filter	92532000	£ 9,00	1
28	sealing set	92533000	£ 3,30	1
29	pull rod	97158820	£ 43,00	1
a	pop up waste	94139820	£ 173,00	1
b	fixation extension 35 mm	13898000	£ 79,00	1