

**AXOR Uno**  
**Basin mixer Select 110 with pop-up waste set**  
 Finish: **Brushed Nickel** Article Number: **45010820**



### product features

- consists of: Basin mixer, waste set
- ComfortZone 110
- projection: 123 mm
- spout height: 109 mm
- handle variant: cylinder handle
- spray type: laminar spray
- maximum flow rate at 3 bar: 5 l/min
- Select cartridge with temperature control
- temperature limitation adjustable
- suitable for continuous flow water heaters
- pop-up waste set G 1¼
- connection type: G ¾ connections
- connection dimension: DN15
- EU taxonomy: max. 6 l/min - Substantial Contribution (SC) possible
- WRAS 2305010
- WRAS 2305010 - Approval letter 2305010

### Article Details

Price excl. VAT

737,50 £

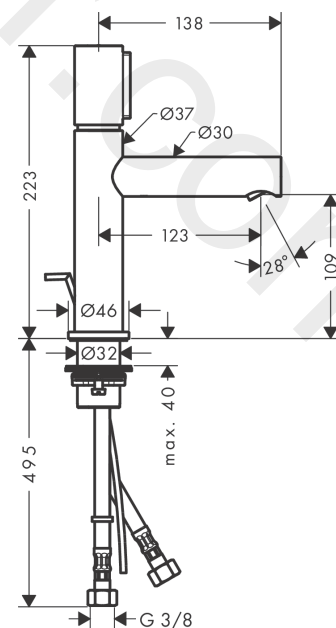
### Technology



### Product image



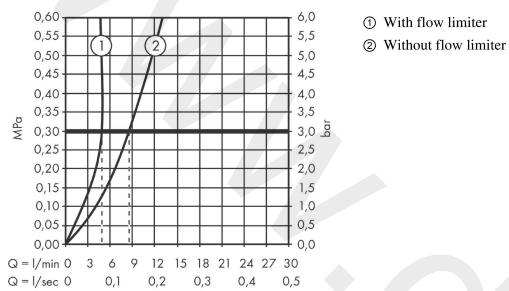
### Scale drawing



**AXOR Uno**  
**Basin mixer Select 110 with pop-up waste set**  
 Finish: **Brushed Nickel**    Article Number: **45010820**



## Flowchart

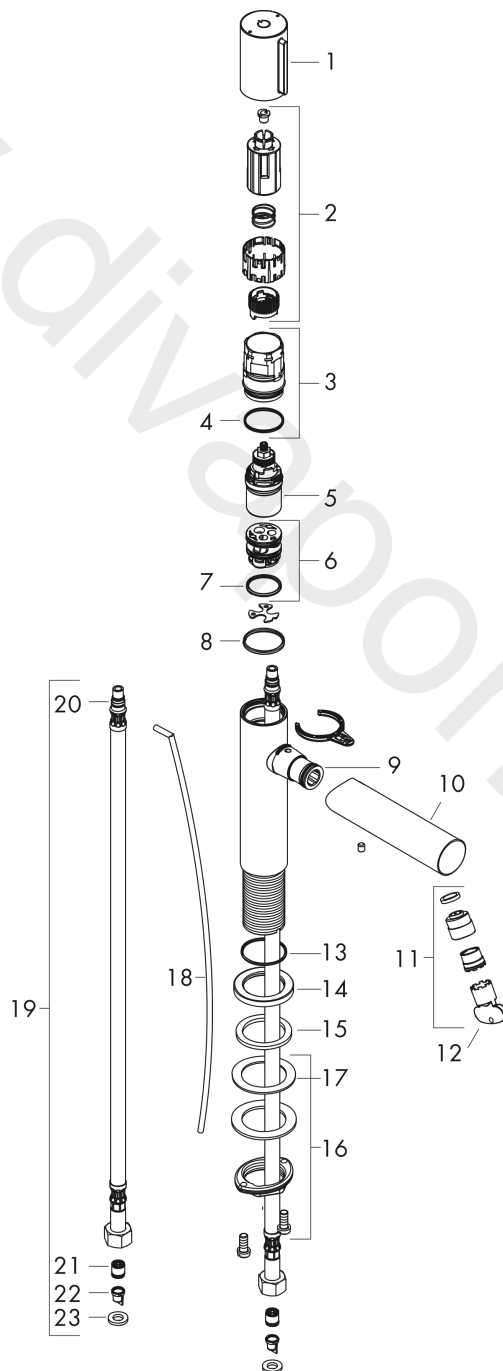


**AXOR Uno**  
**Basin mixer Select 110 with pop-up waste set**  
 Finish: **Brushed Nickel**    Article Number: **45010820**



## Exploded Drawing

Year of production: >03/18



**AXOR Uno**  
**Basin mixer Select 110 with pop-up waste set**  
 Finish: **Brushed Nickel** Article Number: **45010820**



## Spare part list

Year of production: >03/18

Pos.		Article Number	Price	PU
1	handle	92897820	£ 79,00	1
2	adapter for handle	92526000	£ 25,00	1
3	nut	92528000	£ 64,00	1
4	O-ring 27x1,5	92527000	£ 13,30	1
5	cartridge, assy	92529000	£ 110,00	1
6	adapter for cartridge	98866000	£ 35,00	1
7	O-ring 23x2	98398000	£ 3,30	1
8	O-Ring 28x2	98194000	£ 3,30	1
9	O-ring 16x2	98133000	£ 3,30	1
10	spout cpl.	92893820	£ 173,00	1
11	aerator laminar M18x1 (5 l/min)	92896820	£ 79,00	1
12	special tool	98987000	£ 9,00	1
13	O-ring 30x1,5	98433000	£ 3,30	1
14	escutcheon Ø 46 mm	95268820	£ 43,00	1
15	flat seal	98749000	£ 6,10	1
16	fixing set (Ø 32)	13961000	£ 25,00	1
17	lever collar	97548000	£ 3,30	1
18	pull rod	97158820	£ 43,00	1
19	connection hose 600 mm M8x0,75 G3/8	95664000	£ 35,00	1
20	O-ring 7x1,5	98422000	£ 3,30	1
21	non return valve DW 10	96456000	£ 9,00	1
22	filter	92532000	£ 9,00	1
23	sealing set	92533000	£ 3,30	1
a	pop up waste	94139820	£ 173,00	1
b	fixation extension 35 mm	13898000	£ 79,00	1