

**AXOR Uno**  
**Single lever basin mixer 260 with zero handle for wash bowls and waste set**  
 Finish: **Brushed Nickel** Article Number: **45004820**



### product features

- consists of: single lever basin mixer, waste set
- ComfortZone 260
- projection: 198 mm
- spout height: 259 mm
- handle variant: cylinder handle
- spray type: laminar spray
- maximum flow rate at 3 bar: 5 l/min
- ceramic cartridge
- temperature limitation adjustable
- suitable for continuous flow water heaters
- non-closing waste set
- connection type: G 3/8 connections
- connection dimension: DN15
- EU taxonomy: max. 6 l/min - Substantial Contribution (SC) possible

### Article Details

Price excl. VAT 962,50 £

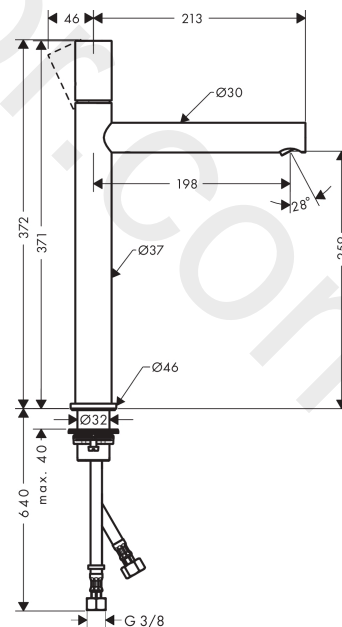
### Technology



### Product image



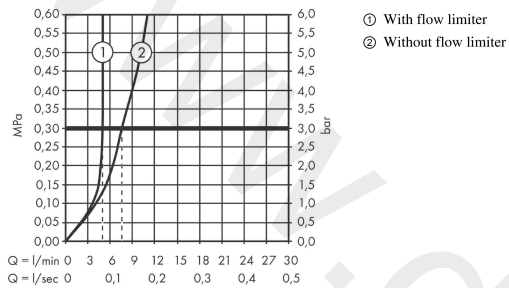
### Scale drawing



**AXOR Uno**  
**Single lever basin mixer 260 with zero handle for wash bowls and waste set**  
Finish: **Brushed Nickel** Article Number: **45004820**



## Flowchart

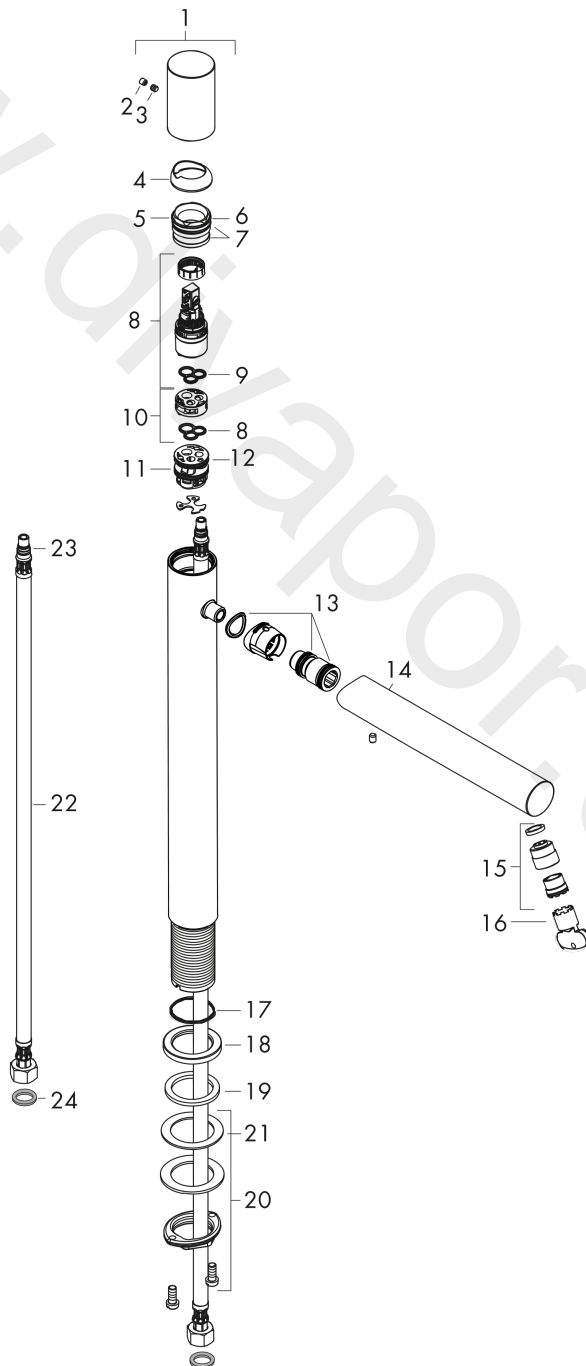


**AXOR Uno**  
**Single lever basin mixer 260 with zero handle for wash bowls and waste set**  
Finish: **Brushed Nickel** Article Number: **45004820**



## Exploded Drawing

Year of production: >04/17



**AXOR Uno**  
**Single lever basin mixer 260 with zero handle for wash bowls and waste set**  
 Finish: **Brushed Nickel** Article Number: **45004820**



## Spare part list

Year of production: >04/17

Pos.		Article Number	Price	PU
1	handle	92887820	£ 275,00	1
2	screw cover	95181000	£ 3,30	1
3	flange	93116820	£ 43,00	1
4	nut	92689000	£ 25,00	1
5	O-ring 25x1,5	98146000	£ 3,30	1
6	O-ring 27x1,5	92527000	£ 13,30	1
7	cartridge, assy	97685000	£ 64,00	1
8	seal	98865000	£ 35,00	1
9	adapter for cartridge	92628000	£ 20,50	1
10	adapter for cartridge	98866000	£ 35,00	1
11	O-ring 23x2	98398000	£ 3,30	1
12	O-ring 16x2	98133000	£ 3,30	1
13	spout cpl.	92894820	£ 224,00	1
14	aerator laminar M18x1 (5 l/min)	92896820	£ 79,00	1
15	special tool	98987000	£ 9,00	1
16	O-ring 30x1,5	98433000	£ 3,30	1
17	escutcheon Ø 46 mm	95268820	£ 43,00	1
18	flat seal	98749000	£ 6,10	1
19	fixing set (Ø 32)	13961000	£ 25,00	1
20	lever collar	97548000	£ 3,30	1
21	connection hose 900 mm M8x0,75 G3/8	96316000	£ 43,00	1
22	O-ring 7x1,5	98422000	£ 3,30	1
23	sealing set	95581000	£ 6,10	1
a	waste	50001820	£ 106,56	1
b	fixation extension 35 mm	13898000	£ 79,00	1