

AXOR Uno
Single lever basin mixer 260 with zero handle for wash bowls and waste set
 Finish: **Chrome** Article Number: **45004000**



product features

- consists of: single lever basin mixer, waste set
- ComfortZone 260
- projection: 198 mm
- spout height: 259 mm
- handle variant: cylinder handle
- spray type: laminar spray
- maximum flow rate at 3 bar: 5 l/min
- ceramic cartridge
- temperature limitation adjustable
- suitable for continuous flow water heaters
- non-closing waste set
- connection type: G 3/8 connections
- connection dimension: DN15
- EU taxonomy: max. 6 l/min - Substantial Contribution (SC) possible

Article Details

Price excl. VAT

641,67 £

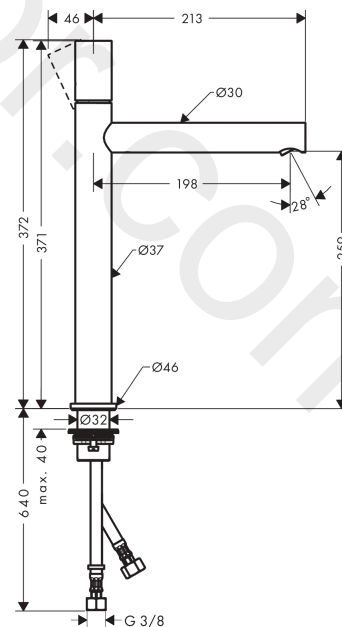
Technology



Product image



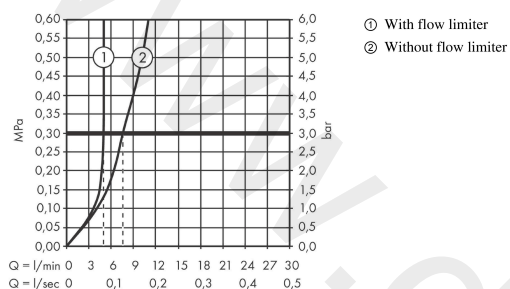
Scale drawing



AXOR Uno
Single lever basin mixer 260 with zero handle for wash bowls and waste set
 Finish: **Chrome** Article Number: **45004000**



Flowchart

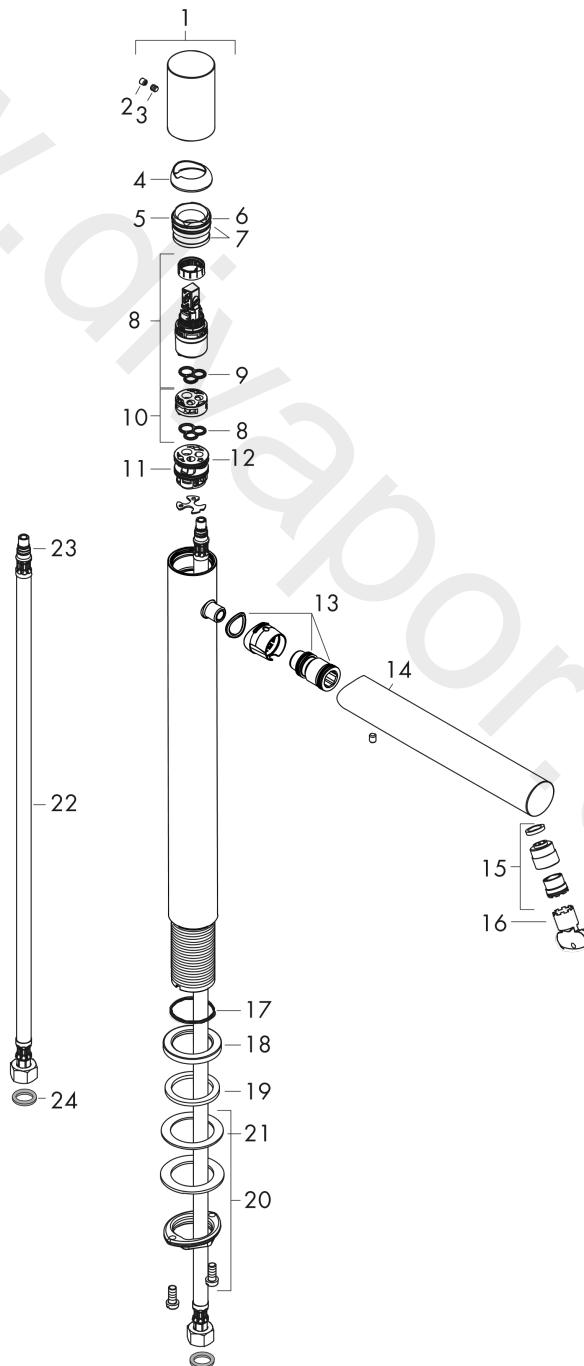


AXOR Uno
Single lever basin mixer 260 with zero handle for wash bowls and waste set
 Finish: **Chrome** Article Number: **45004000**



Exploded Drawing

Year of production: >04/17



AXOR Uno
Single lever basin mixer 260 with zero handle for wash bowls and waste set
 Finish: **Chrome** Article Number: **45004000**



Spare part list

Year of production: >04/17

Pos.		Article Number	Price	PU
1	handle	92887000	£ 173,00	1
2	screw cover	95181000	£ 3,30	1
3	hollow set screw M6x8	98444000	£ 3,30	1
4	flange	93116000	£ 25,00	1
5	nut	92689000	£ 25,00	1
6	O-ring 25x1,5	98146000	£ 3,30	1
7	O-ring 27x1,5	92527000	£ 13,30	1
8	cartridge, assy	97685000	£ 64,00	1
9	seal	98865000	£ 35,00	1
10	adapter for cartridge	92628000	£ 20,50	1
11	adapter for cartridge	98866000	£ 35,00	1
12	O-ring 23x2	98398000	£ 3,30	1
13	O-ring 16x2	98133000	£ 3,30	1
14	spout cpl.	92894000	£ 173,00	1
15	aerator laminar M18x1 (5 l/min)	92896000	£ 51,00	1
16	special tool	98987000	£ 9,00	1
17	O-ring 30x1,5	98433000	£ 3,30	1
18	escutcheon Ø 46 mm	95268000	£ 25,00	1
19	flat seal	98749000	£ 6,10	1
20	fixing set (Ø 32)	13961000	£ 25,00	1
21	lever collar	97548000	£ 3,30	1
22	connection hose 900 mm M8x0,75 G3/8	96316000	£ 43,00	1
23	O-ring 7x1,5	98422000	£ 3,30	1
24	sealing set	95581000	£ 6,10	1
a	waste	50001000	£ 71,00	1
b	fixation extension 35 mm	13898000	£ 79,00	1