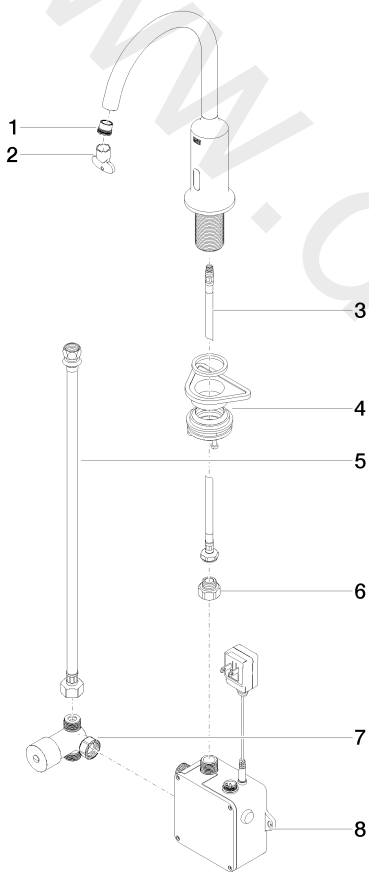


Sink - VAIA

Lavatory Touchfree Faucet Without drain set - Chrome

Article number: 44 521 809-00 0010





Sink - VAIA

Lavatory Touchfree Faucet Without drain set - Chrome

Article number: 44 521 809-00 0010

Spare parts list

Position	Number of units	Item Number	Spare part	Lead time
1	1	09 29 03 094 90	aerator	60
2	1	04 30 09 028 00 90	key	2
3	1	04 30 04 100 00 90	hose	2
4	1	04 23 10 044 08 90	fixing set	2
5	1	12 506 970 90	High pressure hoses -	2
6	1	09 24 03 185-00	nipple	10
7	1	90 30 50 081 00 90	valve	2
8	1	90 10 01 247 02 90	valve box	60