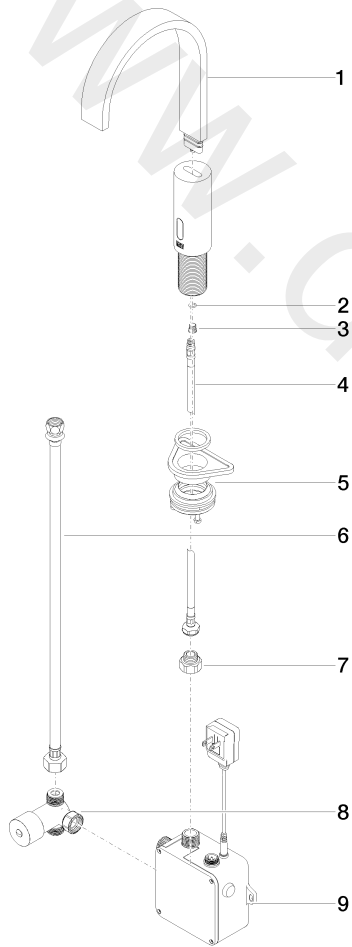


Sink - MEM

Lavatory Touchfree Faucet Without drain set - Chrome

Article number: 44 521 782-00 0010





Sink - MEM

Lavatory Touchfree Faucet Without drain set - Chrome

Article number: 44 521 782-00 0010

Spare parts list

Position	Number of units	Item Number	Spare part	Lead time
1	1	90 28 22 373 01-00	spout	10
2	1	09 14 10 132 90	seal	2
3	1	09 31 20 027 10-00	plug	10
4	2	04 30 04 100 00 90	hose	2
5	1	04 23 10 044 08 90	fixing set	2
6	1	12 506 970 90	High pressure hoses -	2
7	1	09 24 03 185-00	nipple	10
8	1	90 30 50 081 00 90	valve	2
9	1	90 10 01 247 02 90	valve box	60