

C51

C51-F450-12 Sink combi 450 Select with drainboard right

Finish: **Chrome** Article Number: **43228000**



Description

product features

- consists of: built-in sink, 2-hole single lever kitchen mixer, control unit, hose box, automatic waste and overflow set
- material sink: SilicaTec
- number of bowls: 1 main bowl
- with drainage
- tap hole for drilling is predefined (see scale drawing), diamond drill included
- orientation: bowl left
- sink depth: 190 mm
- cut-out dimensions: 1030 x 490 mm
- cabinet size: 60 cm
- installation type: topmount
- position overflow: on the left side of the bowl
- connection type: G 3/8 connections
- connection dimension: DN15
- suitable for continuous flow water heaters
- ceramic cartridge
- MagFit magnetic shower support
- integrated non-return valve
- swivel range 150°
- laminar spray, shower spray
- ComfortZone 200
- Select button for a comfortable start/stop of the water flow
- sBox for quiet, smooth and protected hose guidance in the cabinet, under the countertop
- extension length up to 76 cm
- maximum flow rate at 3 bar: 8 l/min

Article Details

Price excl. VAT

1.233,33 £

Technology



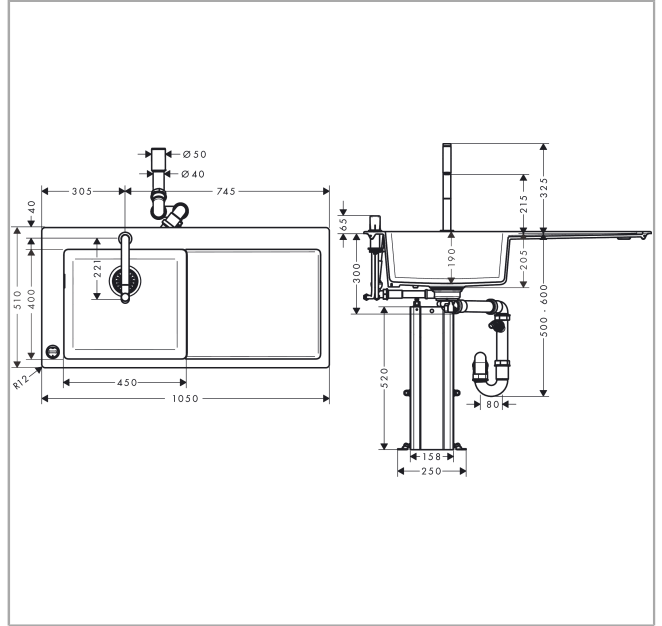
C51
C51-F450-12 Sink combi 450 Select with drainboard right
 Finish: **Chrome** Article Number: **43228000**



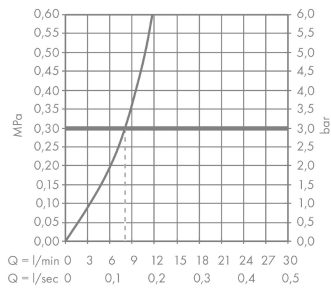
Product image



Scale drawing



Flowchart

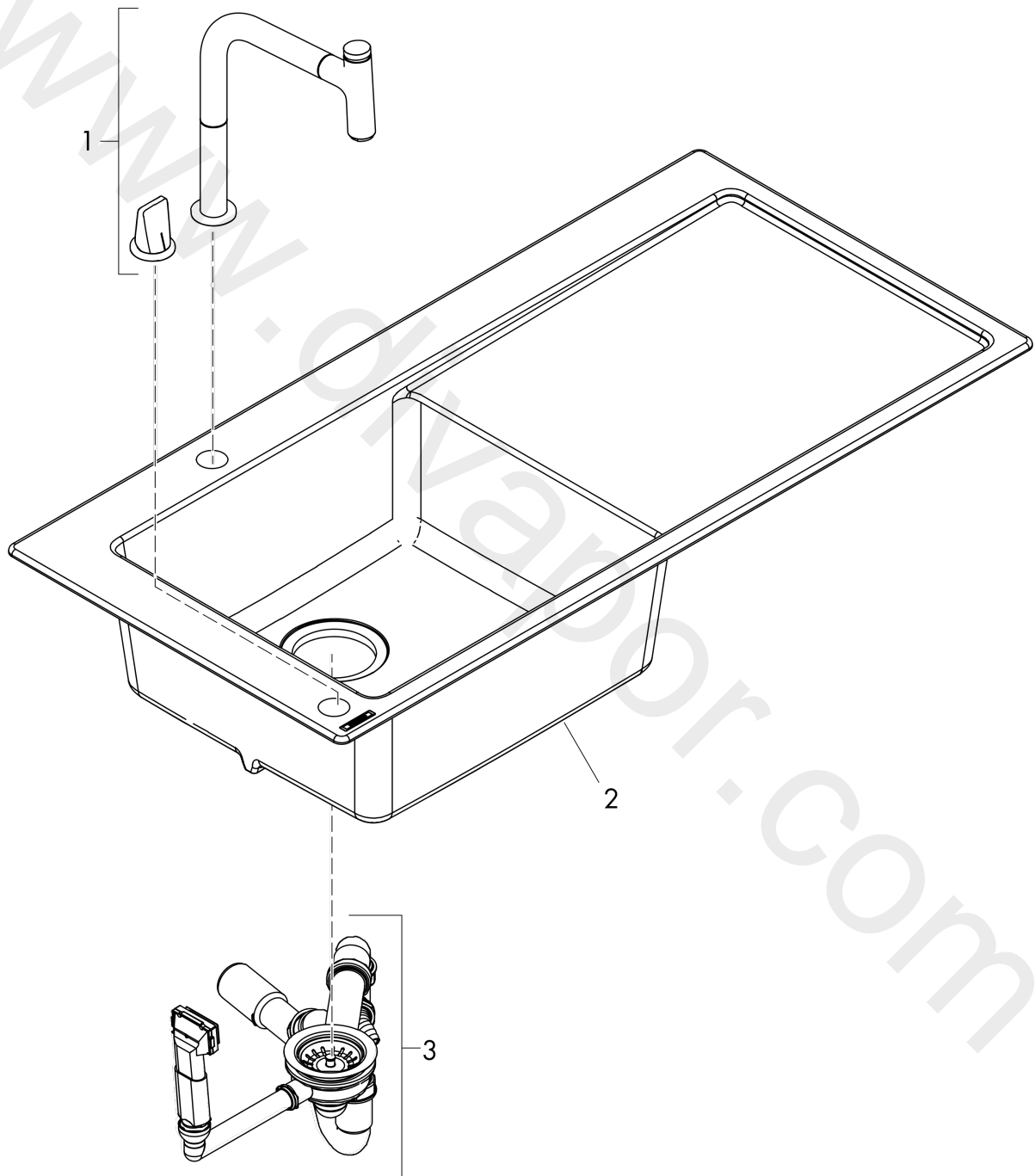


C51
C51-F450-12 Sink combi 450 Select with drainboard right
 Finish: **Chrome** Article Number: **43228000**



Exploded Drawing

Year of production: >10/18



C51
C51-F450-12 Sink combi 450 Select with drainboard right
 Finish: **Chrome** Article Number: **43228000**



Spare part list

Year of production: >10/18

Pos.	Description	Article Number	Price	PU
1	kitchen mixer	73804000	£ 910,00	1
2	-	43330170	£ 685,00	1
3	waste	43927000	£ 39,00	1

www.divapor.com