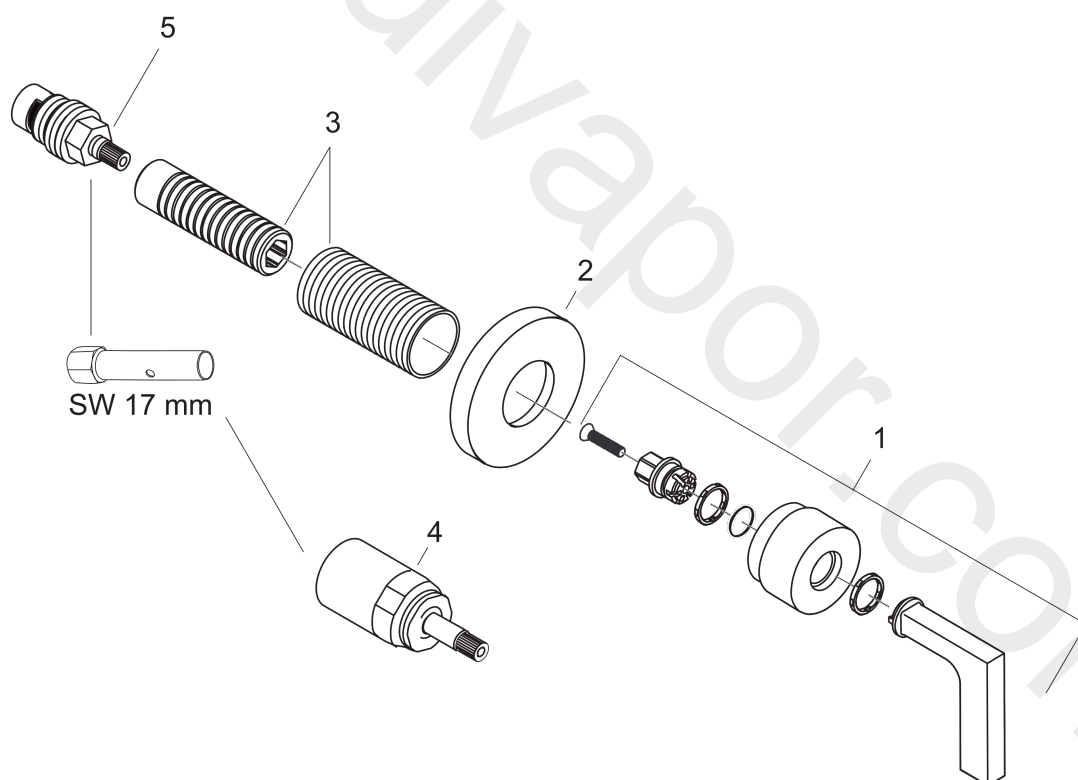


**AXOR Citterio**  
**Shut-off valve for concealed installation with lever handle**  
Surfaces: Article Number: **39960000**



## Exploded Drawing

Year of production: **04/03 - 01/11**



**AXOR Citterio**  
**Shut-off valve for concealed installation with lever handle**  
 Surfaces: Article Number: **39960000**



## Spare part list

Year of production: **04/03 - 01/11**

| Pos. |                             | Article Number | Price    | PU |
|------|-----------------------------|----------------|----------|----|
| 1    | handle                      | 39296000       | £ 110,00 | 1  |
| 2    | escutcheon Ø 66 mm          | 94353000       | £ 35,00  | 1  |
| 3    | fixing set                  | 96392000       | £ 35,00  | 1  |
| 4    | extension 25 mm             | 96370000       | £ 84,00  | 1  |
| 5    | shut off unit right closing | 96350000       | £ 51,00  | 1  |
| a    | concealed items DN20 (¾")   | 15970180       | £ 138,00 | 1  |
| b    | concealed items ½"          | 15973180       | £ 130,00 | 1  |
| c    | concealed items ½"          | 15974180       | £ 133,00 | 1  |