

AXOR Citterio
Shut-off/ diverter valve Trio/ Quattro for concealed installation with cross handle
Finish: **Chrome** Article Number: **39925000**



product features

- connection dimension: DN20
- WRAS 1810012
- WRAS 1810012
- WRAS 1810012 - Approval letter

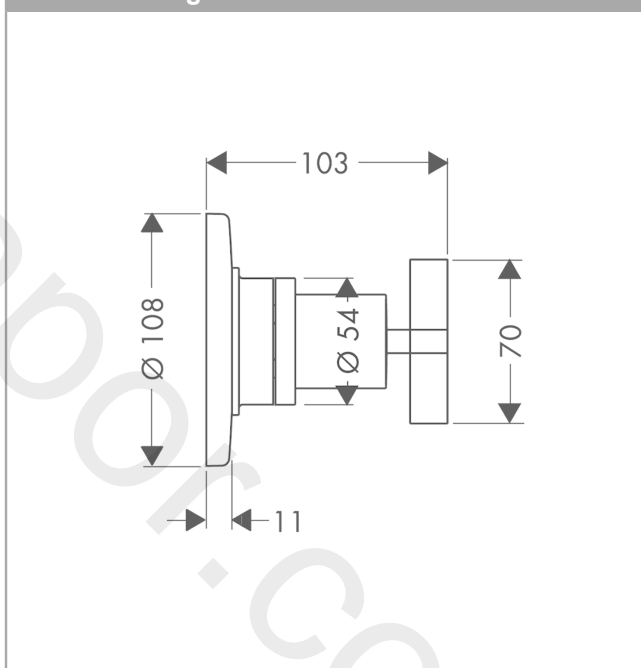
Article Details

Price excl. VAT 212,50 £

Product image



Scale drawing

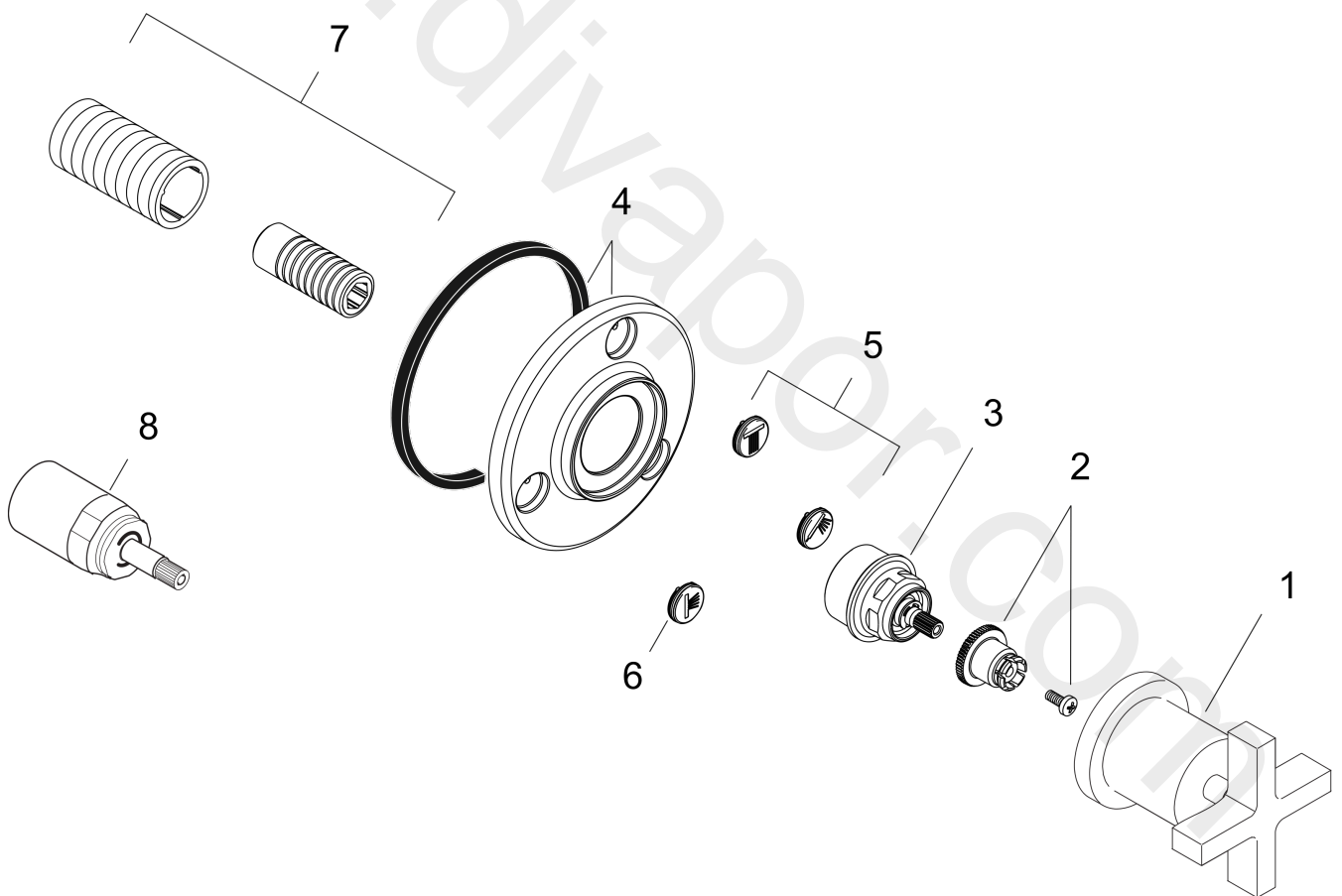


AXOR Citterio
Shut-off/ diverter valve Trio/ Quattro for concealed installation with cross handle
Finish: **Chrome** Article Number: **39925000**



Exploded Drawing

Year of production: >04/11



AXOR Citterio
Shut-off/ diverter valve Trio/ Quattro for concealed installation with cross handle
 Finish: **Chrome** Article Number: **39925000**



Spare part list

Year of production: >04/11

Pos.		Article Number	Price	PU
1	handle	39995000	£ 173,00	1
2	handle fixing set	94184000	£ 6,10	1
3	nut	98677000	£ 35,00	1
4	escutcheon Ø 108 mm	95807000	£ 110,00	1
5	set of symbols	95238000	£ 25,00	1
6	O-ring 13x2	98128000	£ 3,30	1
7	fixing set	96392000	£ 35,00	1
8	extension 25 mm	96370000	£ 84,00	1