

AXOR Citterio
Shut-off/ diverter valve Trio/ Quattro for concealed installation with lever handle
Finish: **Chrome** Article Number: **39920000**



product features

- WRAS 1810012
- WRAS 1810012
- WRAS 1810012 - Approval letter

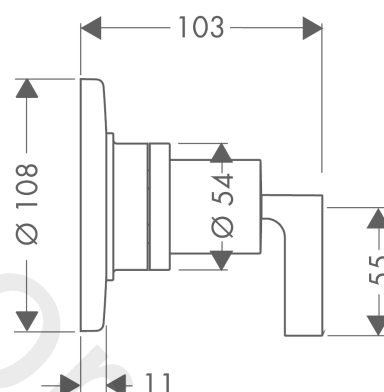
Article Details

Price excl. VAT 212,50 £

Product image



Scale drawing

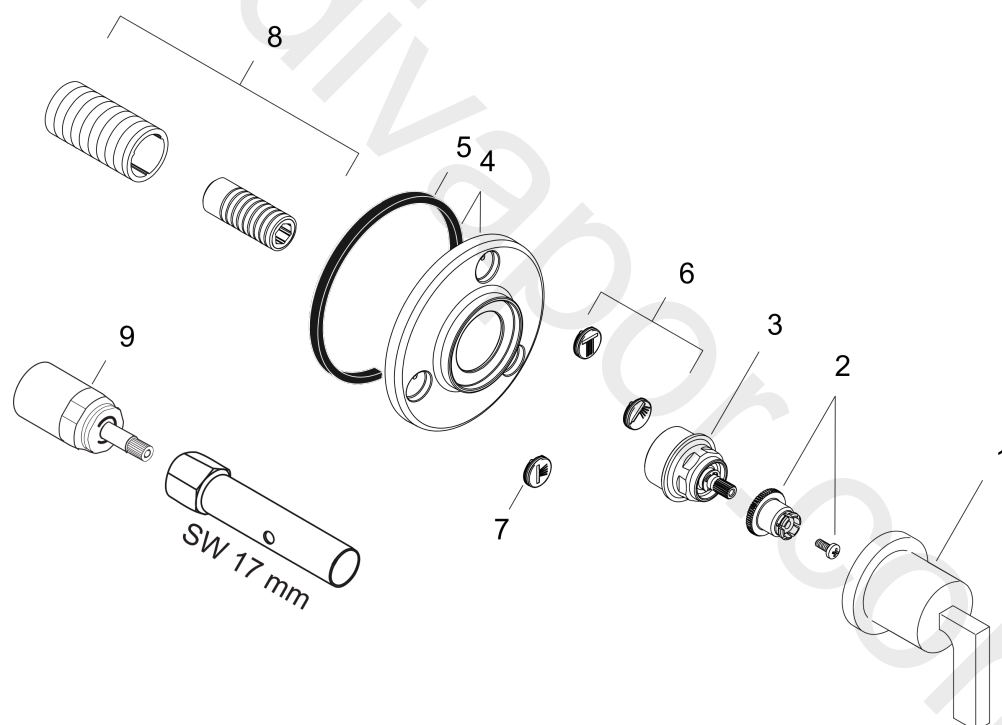


AXOR Citterio
Shut-off/ diverter valve Trio/ Quattro for concealed installation with lever handle
Finish: **Chrome** Article Number: **39920000**



Exploded Drawing

Year of production: >04/11



AXOR Citterio
Shut-off/ diverter valve Trio/ Quattro for concealed installation with lever handle
 Finish: **Chrome** Article Number: **39920000**



Spare part list

Year of production: >04/11

Pos.		Article Number	Price	PU
1	handle	39993000	£ 137,00	1
2	handle fixing set	94184000	£ 6,10	1
3	nut	98677000	£ 35,00	1
4	escutcheon Ø 108 mm	95807000	£ 110,00	1
5	seal	97737000	£ 9,00	1
6	set of symbols	95238000	£ 25,00	1
7	O-ring 13x2	98128000	£ 3,30	1
8	fixing set	96392000	£ 35,00	1
9	extension 25 mm	96370000	£ 84,00	1
a	concealed item	15981180	£ 250,00	1
b	concealed item	15930180	£ 410,00	1