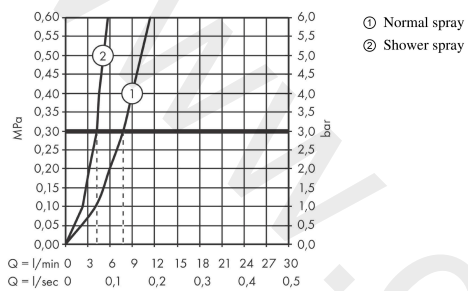




**AXOR Citterio**  
**Single lever kitchen mixer Select 230 2jet with pull-out spray**  
 Finish: **Chrome** Article Number: **39863000**



## Flowchart

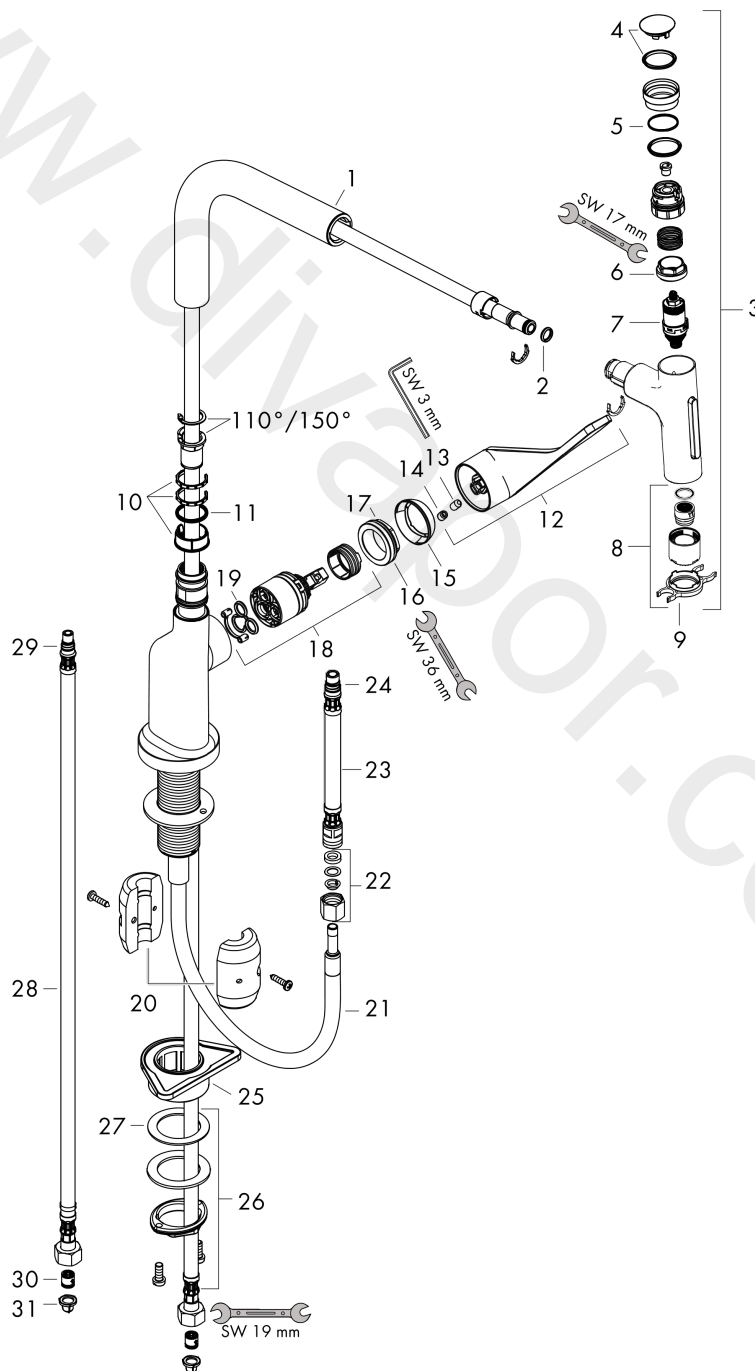


**AXOR Citterio**  
**Single lever kitchen mixer Select 230 2jet with pull-out spray**  
 Finish: **Chrome** Article Number: **39863000**



## Exploded Drawing

Year of production: >10/19



**AXOR Citterio**  
**Single lever kitchen mixer Select 230 2jet with pull-out spray**  
 Finish: **Chrome** Article Number: **39863000**



## Spare part list

Year of production: >10/19

Pos.		Article Number	Price	PU
1	spout cpl.	92583000	£ 79,00	1
2	O-ring 8x2	98112000	£ 3,30	1
3	handspray	93410000	£ 275,00	1
4	cover	92566000	£ 16,10	1
5	O-Ring 14x1,5	98201000	£ 3,30	1
6	nut	92567000	£ 20,50	1
7	shut off unit	98463000	£ 51,00	1
8	spray former	93342000	£ 51,00	1
9	service tool	95910000	£ 9,00	1
10	set of lever collars	98365000	£ 9,00	1
11	O-ring 21x2,5	98211000	£ 3,30	1
12	handle	39891000	£ 110,00	1
13	hollow set screw M6x10 DIN 916	96029000	£ 3,30	1
14	screw cover	96338000	£ 3,30	1
15	flange	98603000	£ 25,00	1
16	nut	96461000	£ 35,00	1
17	O-Ring 32x2	98193000	£ 3,30	1
18	cartridge, assy	92730000	£ 35,00	1
19	seal	95008000	£ 9,00	1
20	weight	92500000	£ 43,00	1
21	hose	93188000	£ 137,00	1
22	squeezing connection	96099000	£ 9,00	1
23	connection hose 600 mm M10x1	92568000	£ 64,00	1
24	O-ring 8x1,75	97827000	£ 3,30	1
25	support	97523000	£ 6,10	1
26	fixing set (Ø 34)	95049000	£ 16,10	1
27	lever collar	97548000	£ 3,30	1
28	connection hose 900 mm M8x0,75 G3/8	95372000	£ 35,00	1
29	O-ring 7x1,5	98422000	£ 3,30	1
30	non return valve DW 10	96456000	£ 9,00	1
31	filter packing	95291000	£ 13,30	1
a	Grease	90920000	£ 16,10	1