

**AXOR Citterio**  
**Single lever kitchen mixer 250 with pull-out spray**  
 Finish: **Brushed Bronze** Article Number: **39835140**



### product features

- ComfortZone 250
- swivel range adjustable in 2 steps to 110° or 150°
- shower spray, laminar spray
- lockable shower spray, spray returns through pressing spray diverter
- MagFit magnetic shower support
- quick connect hose
- connection dimension: DN15
- maximum flow rate at 3 bar: 9 l/min
- ceramic cartridge
- connection type: G 3/8 connections
- temperature limitation adjustable
- integrated non-return valve
- suitable for continuous flow water heaters
- extension length up to 50 cm

### Article Details

Price excl. VAT

987,50 £

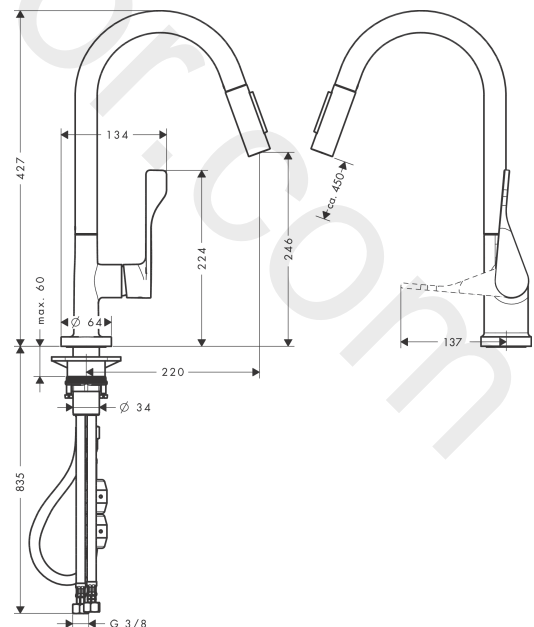
### Technology



### Product image



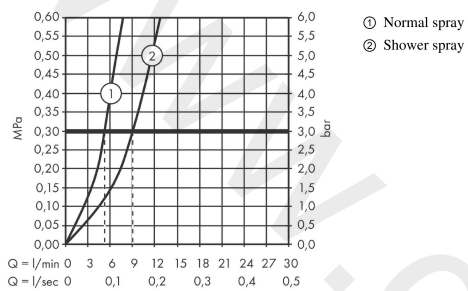
### Scale drawing



**AXOR Citterio**  
**Single lever kitchen mixer 250 with pull-out spray**  
 Finish: **Brushed Bronze** Article Number: **39835140**



## Flowchart

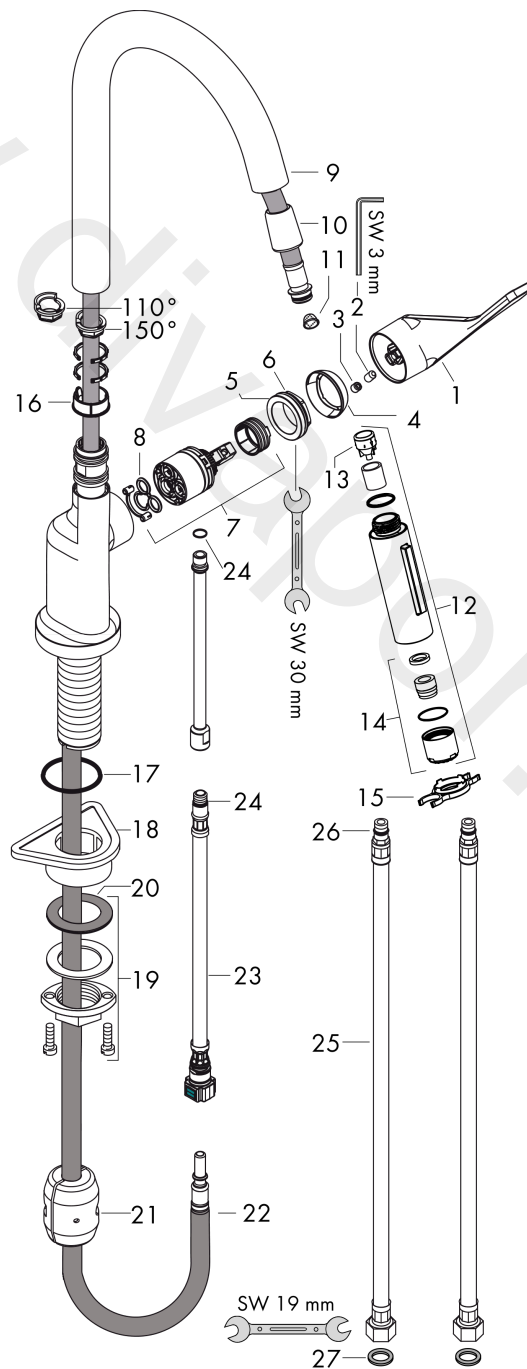


**AXOR Citterio**  
**Single lever kitchen mixer 250 with pull-out spray**  
 Finish: **Brushed Bronze** Article Number: **39835140**



## Exploded Drawing

Year of production: >11/16



**AXOR Citterio**  
**Single lever kitchen mixer 250 with pull-out spray**  
 Finish: **Brushed Bronze** Article Number: **39835140**



## Spare part list

Year of production: >11/16

Pos.		Article Number	Price	PU
1	handle	39891140	£ 165,00	1
2	hollow set screw M6x10 DIN 916	96029000	£ 3,30	1
3	screw cover	96762000	£ 3,30	1
4	flange	98603140	£ 37,50	1
5	nut	97209000	£ 16,10	1
6	O-Ring 32x2	98193000	£ 3,30	1
7	cartridge, assy	92730000	£ 35,00	1
8	seal	95008000	£ 9,00	1
9	spout cpl.	95926140	£ 259,50	1
10	nut	92755000	£ 20,50	1
11	filter	97735000	£ 3,30	1
12	handspray	95908140	£ 260,00	1
13	non return valve	96737000	£ 35,00	1
14	aerator laminar M22x1 (15 l/min)	95909000	£ 51,00	1
15	service tool	95910000	£ 9,00	1
16	set of lever collars	98365000	£ 9,00	1
17	O-ring 40x3	92634000	£ 3,30	1
18	support	97523000	£ 6,10	1
19	fixing set (Ø 34)	95049000	£ 16,10	1
20	lever collar	97548000	£ 3,30	1
21	weight	92500000	£ 43,00	1
22	hose 1,50 m	95507000	£ 79,00	1
23	connection hose 600 mm M10x1	95561000	£ 25,00	1
24	O-ring 8x1,75	97827000	£ 3,30	1
25	connection hose 900 mm M8x0,75 G3/8	96316000	£ 43,00	1
26	O-ring 7x1,5	98422000	£ 3,30	1
27	sealing set	95581000	£ 6,10	1