

AXOR Citterio
Thermostat HighFlow for concealed installation with cross handle
 Finish: **Chrome** Article Number: **39716000**



product features

- thermostat cartridge
- maximum flow rate at 3 bar: 59 l/min
- min. operating pressure: 1 bar
- max. operating pressure: 10 bar
- safety stop at 40 °C
- temperature limitation adjustable
- with silencer
- connection type: basic set
- WRAS 2305061
- WRAS 2305061 - Approval letter 2305061

Article Details

Price excl. VAT 808,33 £

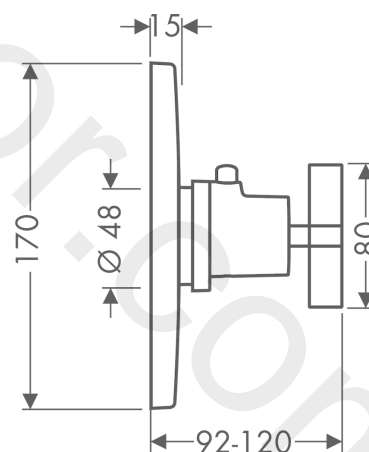
Technology



Product image



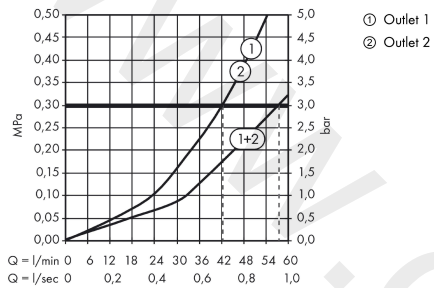
Scale drawing



AXOR Citterio
Thermostat HighFlow for concealed installation with cross handle
 Finish: **Chrome** Article Number: **39716000**



Flowchart

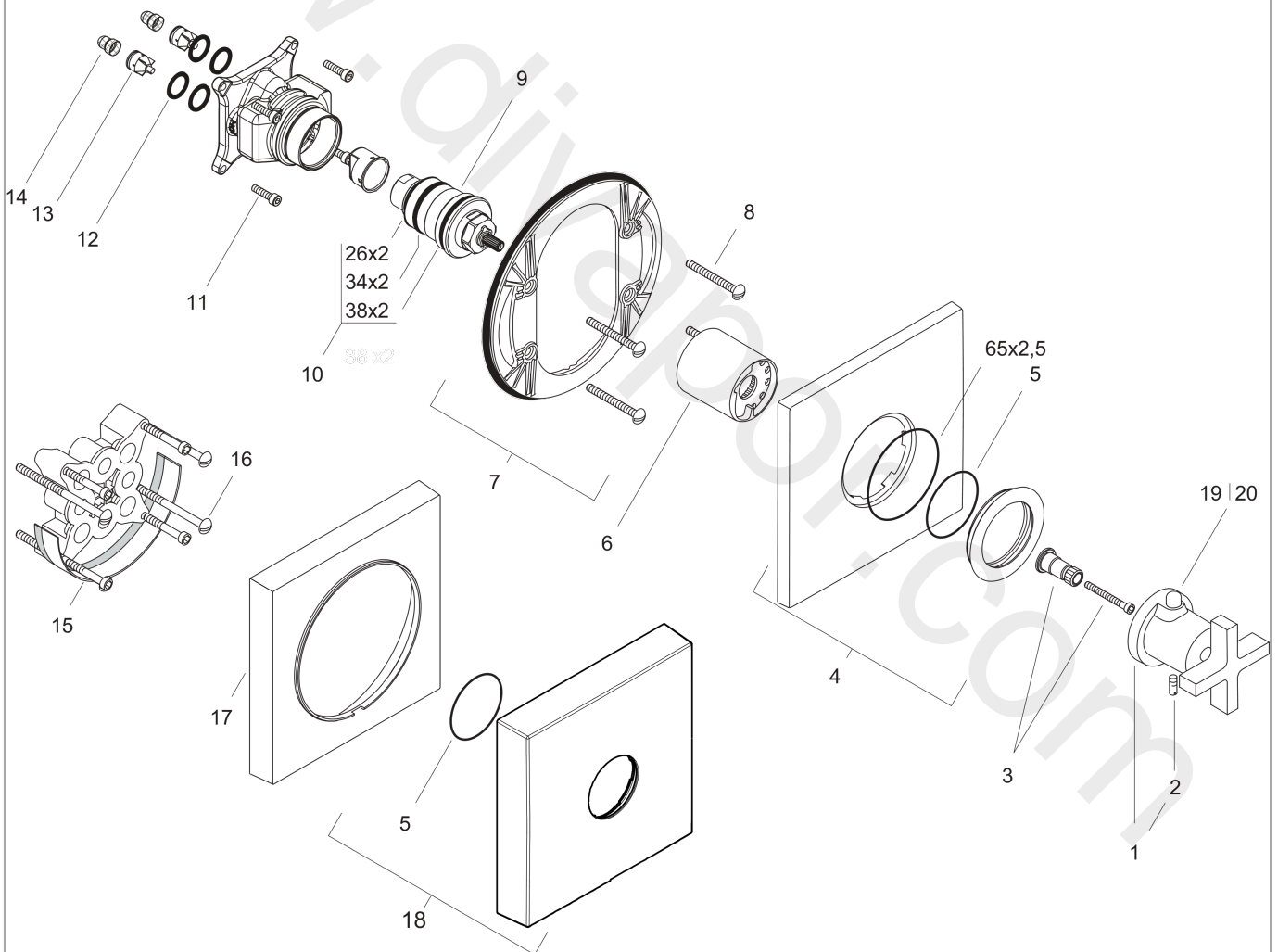


AXOR Citterio
Thermostat HighFlow for concealed installation with cross handle
Finish: **Chrome** Article Number: **39716000**



Exploded Drawing

Year of production: >02/12



AXOR Citterio
Thermostat HighFlow for concealed installation with cross handle
 Finish: **Chrome** Article Number: **39716000**



Spare part list

Year of production: >02/12

Pos.		Article Number	Price	PU
1	handle for thermostat	39391000	£ 96,00	1
2	hollow set screw M5x16	97666000	£ 3,30	1
3	adapter for handle	96435000	£ 20,50	1
4	escutcheon	96750000	£ 79,00	1
5	O-Ring 48x3	95508000	£ 3,30	1
6	sleeve	97439000	£ 43,00	1
7	holder for escutcheon	98793000	£ 43,00	1
8	set of fixing screws	96454000	£ 9,00	1
9	thermostat cartridge	96633000	£ 137,00	1
10	sealing set	96636000	£ 51,00	1
11	set of screws	96525000	£ 9,00	1
12	O-ring 16x2	98133000	£ 3,30	1
13	set of non return valves DW 15	97350000	£ 20,50	1
14	filter	98513000	£ 3,30	1
15	extension 25 mm	13595000	£ 75,00	1
16	set of fixing screws	97747000	£ 3,30	1
17	extension 22 mm	97407000	£ 72,00	1
18	escutcheon height = 33 mm (when wall is not deep enough).	14964000	£ 92,00	1
19	pushbutton	97792000	£ 16,10	1
20	pushbutton red	97212000	£ 25,00	1
a	concealed item	01800180	£ 163,00	1
b	adapter for exchanged connections	93181000	£ 275,00	1