

**AXOR Citterio**  
**Single lever shower mixer for exposed installation with lever handle**  
 Finish: **Chrome** Article Number: **39600000**



### product features

- 1 function
- centre distance:  $150 \pm 16$  mm
- maximum flow rate at 3 bar: 25 l/min
- flow rate of hand shower at 3 bar: 16 l/min
- ceramic cartridge
- temperature limitation adjustable
- non-return valve
- with silencer
- suitable for continuous flow water heaters
- hose connection DN15
- connection dimension: DN15
- min. operating pressure: 1 bar
- max. operating pressure: 10 bar
- connection type: s-shaped connections
- WRAS 1902700

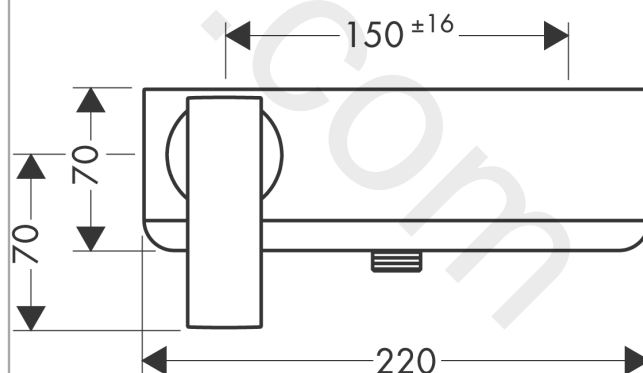
### Article Details

Price excl. VAT 966,67 £

### Product image



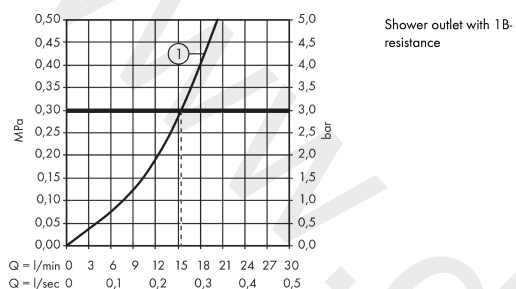
### Scale drawing



**AXOR Citterio**  
**Single lever shower mixer for exposed installation with lever handle**  
Finish: **Chrome** Article Number: **39600000**



## Flowchart

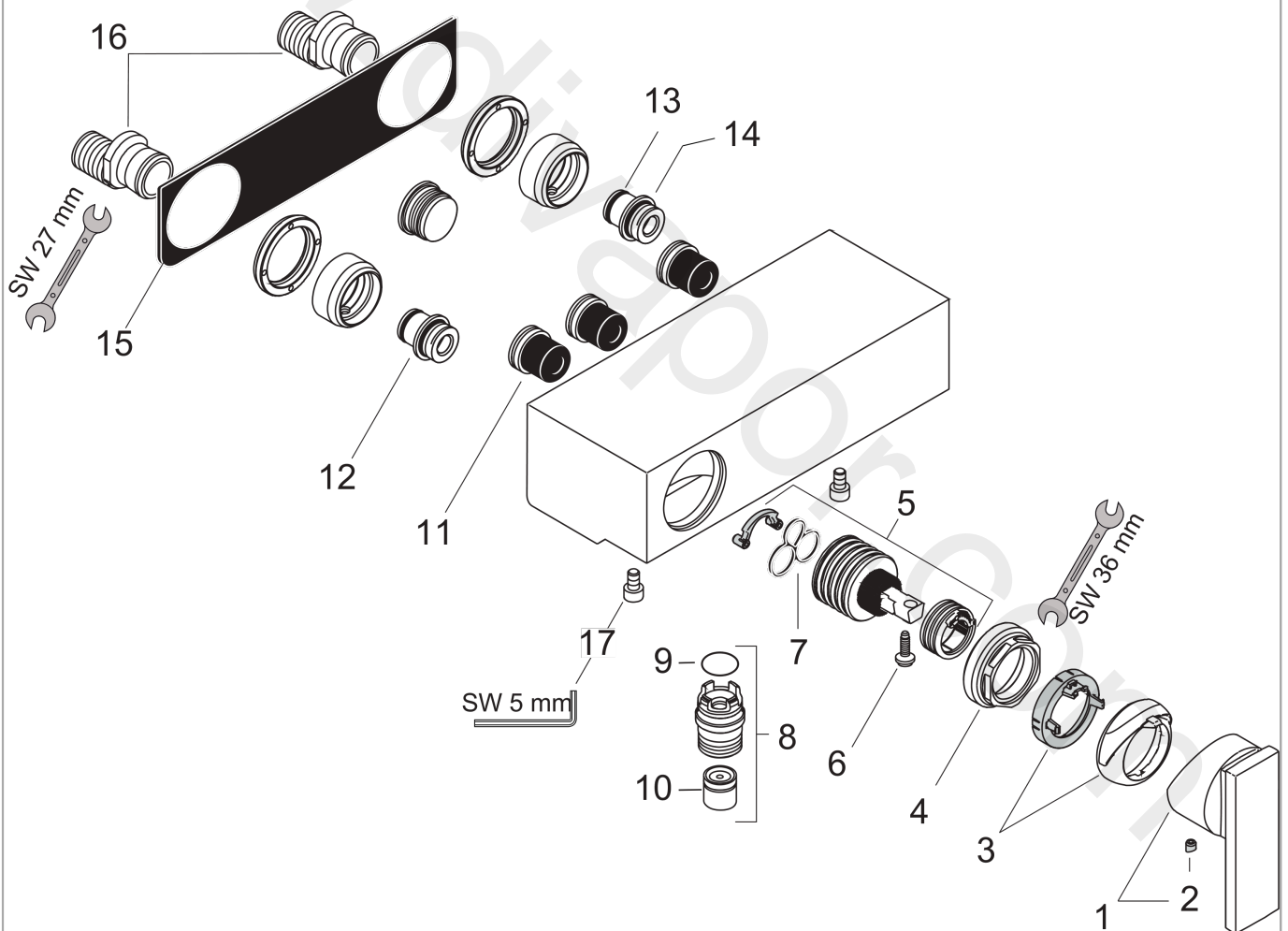


**AXOR Citterio**  
**Single lever shower mixer for exposed installation with lever handle**  
 Finish: **Chrome** Article Number: **39600000**



## Exploded Drawing

Year of production: >07/09



**AXOR Citterio**  
**Single lever shower mixer for exposed installation with lever handle**  
 Finish: **Chrome** Article Number: **39600000**



## Spare part list

Year of production: >07/09

Pos.		Article Number	Price	PU
1	handle	39491000	£ 79,00	1
2	screw cover	96338000	£ 3,30	1
3	flange (Rotating Protector)	96395000	£ 43,00	1
4	nut	96461000	£ 35,00	1
5	cartridge, assy	92730000	£ 35,00	1
6	locking screw for handle	95140000	£ 6,10	1
7	seal	95008000	£ 9,00	1
8	connecting thread	95367000	£ 25,00	1
9	O-ring 18x2	98181000	£ 6,10	1
10	set of non return valves DW 15	94074000	£ 16,10	1
11	noise reduction	94073000	£ 25,00	1
12	connecting thread	97236000	£ 13,30	1
13	O-Ring 13x3	98184000	£ 3,30	1
14	O-ring 17x1,5	98137000	£ 3,30	1
15	seal	97589000	£ 13,30	1
16	set of S-unions	94136000	£ 64,00	1
17	hexagon socket screw M6x10	92847000	£ 3,30	1