

AXOR Citterio
3-hole bath mixer for concealed installation wall-mounted with cross handles and escutcheons
 Finish: **Chrome** Article Number: **39447000**



product features

- consists of: 3-hole bath mixer, hand shower, shower holder, shower hose
- 2 functions
- projection: 222 mm
- spray type mixer: normal spray
- spray type hand shower: Rain, RainAir, WhirlAir
- maximum flow rate at 3 bar: 22,5 l/min
- flow rate for bath spout at 3 bar: 22,5 l/min
- flow rate of hand shower at 3 bar: 20 l/min
- ceramic valves hot/ cold 180°
- diverter with automatic resetting
- non-return valve
- connection dimension: DN15
- connection type: basic set
- wall-mounted
- min. operating pressure: 1 bar
- max. operating pressure: 10 bar
- WRAS 2301076
- WRAS 2301076 - Approval letter 2301076

Article Details

Price excl. VAT

1.183,33 £

Technology



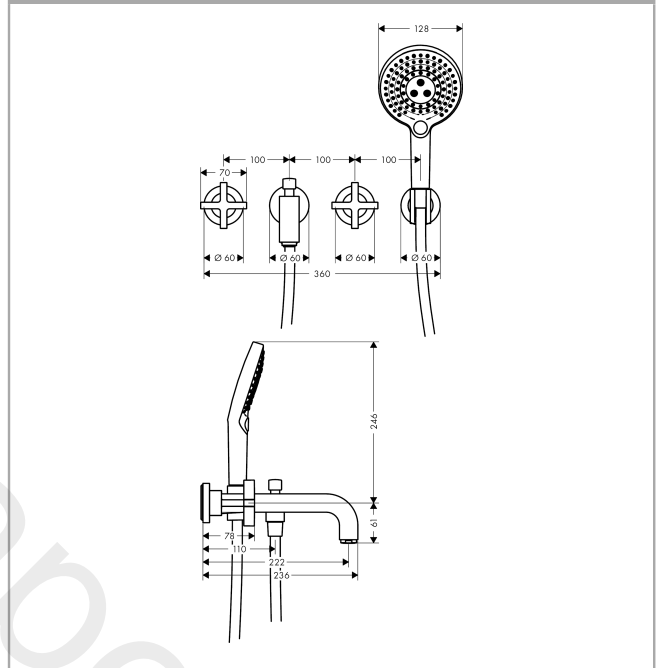
AXOR Citterio
3-hole bath mixer for concealed installation wall-mounted with cross handles and escutcheons
 Finish: **Chrome** Article Number: **39447000**



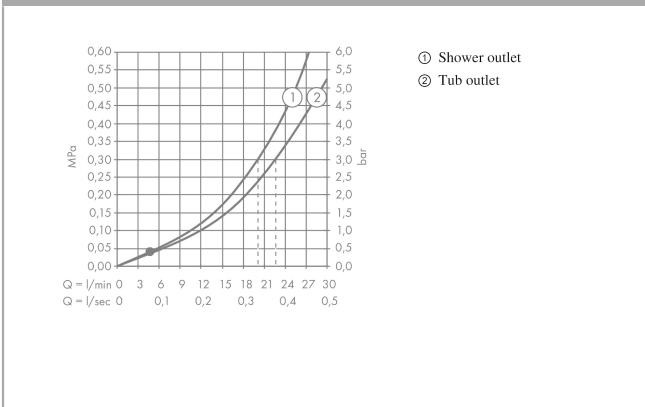
Product image



Scale drawing



Flowchart

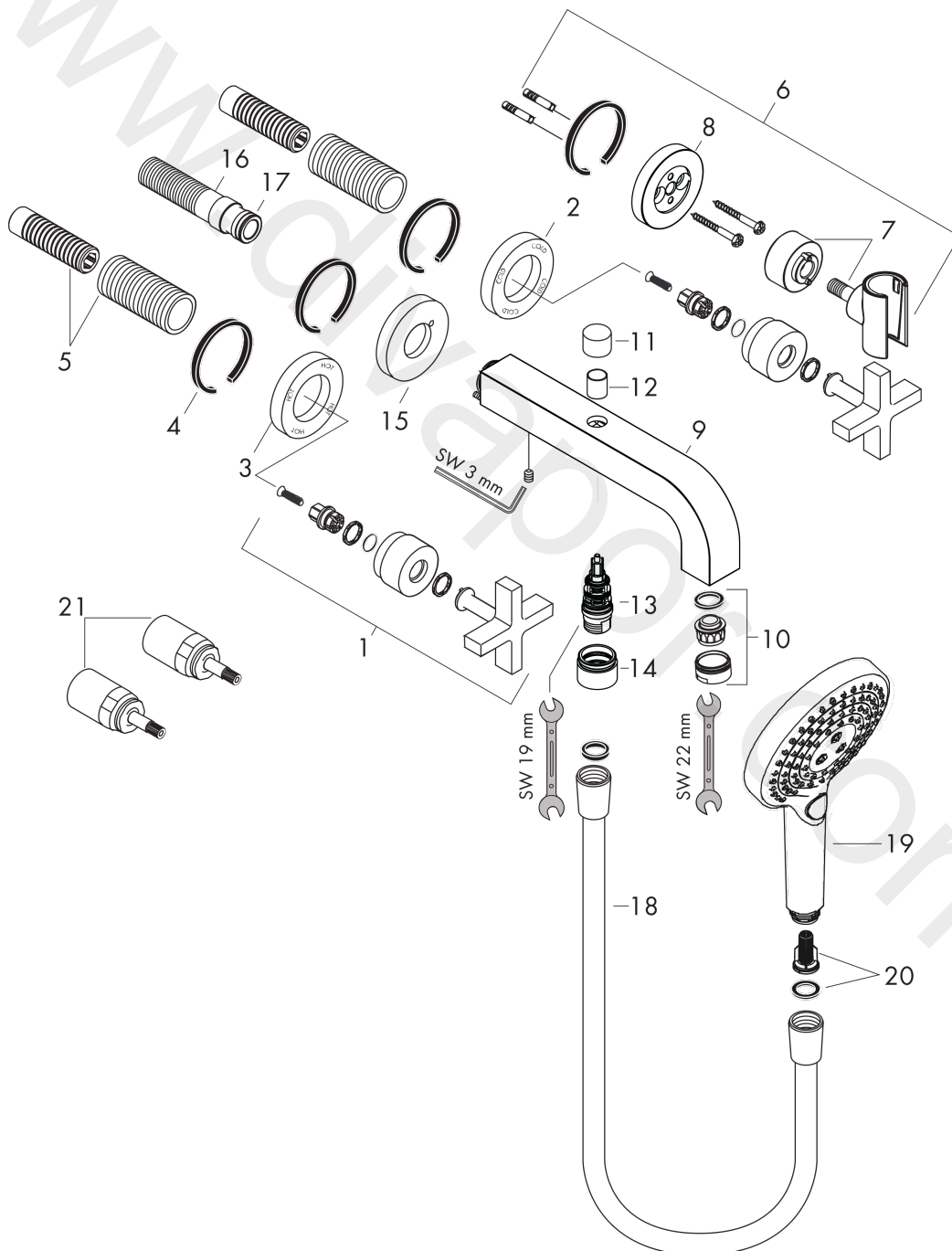


AXOR Citterio
3-hole bath mixer for concealed installation wall-mounted with cross handles and escutcheons
 Finish: **Chrome** Article Number: **39447000**



Exploded Drawing

Year of production: >05/20



AXOR Citterio
3-hole bath mixer for concealed installation wall-mounted with cross handles and escutcheons
 Finish: **Chrome** Article Number: **39447000**



Spare part list

Year of production: >05/20

Pos.		Article Number	Price	PU
1	handle	39295000	£ 110,00	1
2	escutcheon cold water	96754000	£ 64,00	1
3	escutcheon hot water	96755000	£ 64,00	1
4	seal	97530000	£ 6,10	1
5	fixing set	96392000	£ 35,00	1
6	shower holder	39525000	£ 126,00	1
7	shower holder, assy	97705000	£ 96,00	1
8	escutcheon	97716000	£ 79,00	1
9	spout with selector, mousseur	97704000	£ 370,00	1
10	aerator M24x1 (25 l/min)	13956000	£ 9,00	1
11	diverter knob	96466000	£ 16,10	1
12	sleeve	97738000	£ 6,10	1
13	selector assy	94077000	£ 43,00	1
14	sleeve	92856000	£ 16,10	1
15	escutcheon for spout	96756000	£ 64,00	1
16	connecting thread G½	97228000	£ 51,00	1
17	O-ring 16x2,5	98134000	£ 3,30	1
18	shower hose 1,25 m	28622000	£ 43,00	1
19	handshower	26050000	£ 138,00	1
20	filter insert	97708000	£ 6,10	1
21	extension 25 mm	96259000	£ 79,00	1
a	base body	10303180	£ 300,00	1
b	extension 25 mm	95413000	£ 79,00	1
c	sealing foil	96383000	£ 46,00	1
d	diverter fixing device	97211000	£ 3,30	1