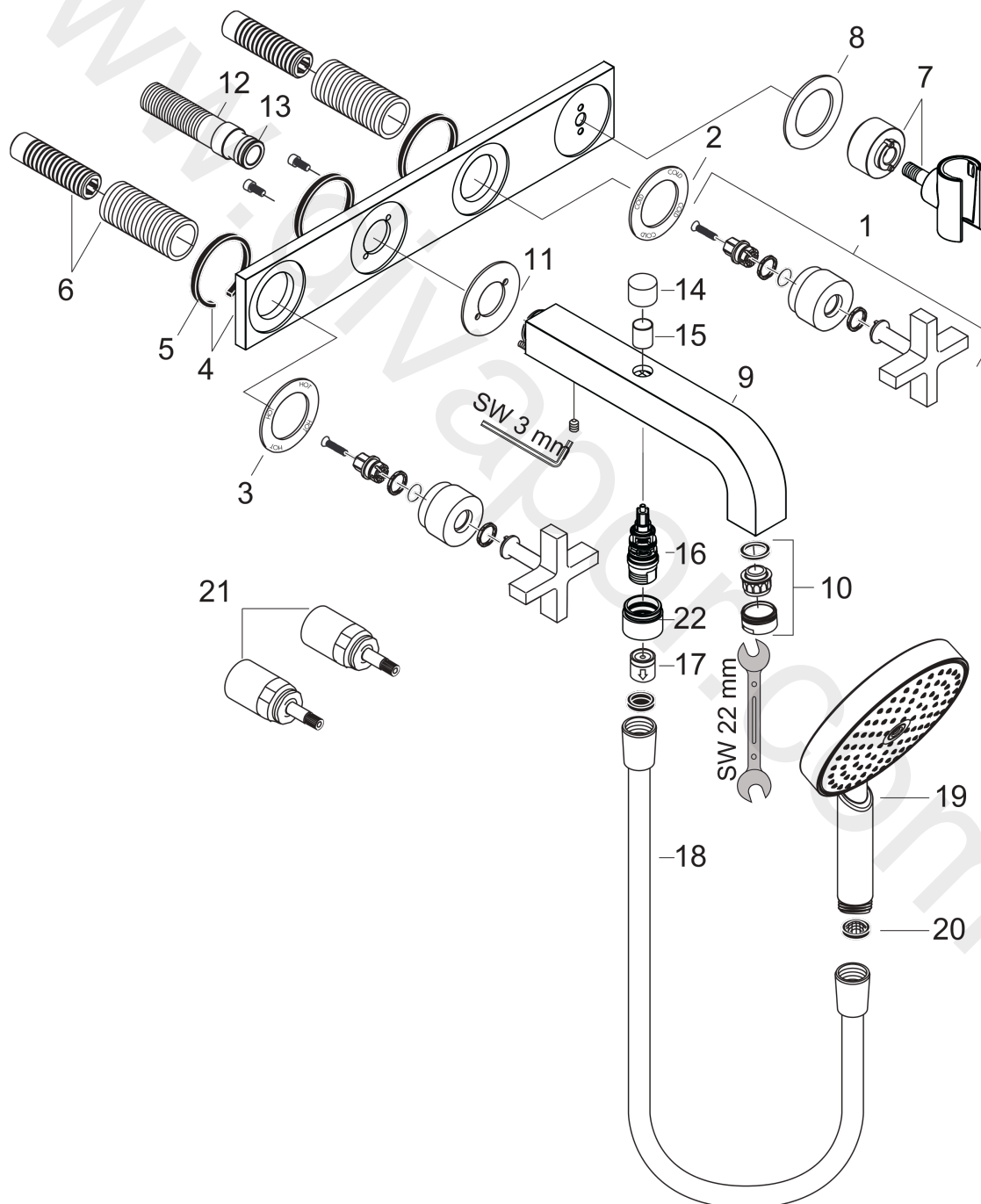


AXOR Citterio
3-hole bath mixer for concealed installation wall-mounted with cross handles and plate
Surfaces: Article Number: **39441000**



Exploded Drawing

Year of production: **07/05 - 12/16**



AXOR Citterio

3-hole bath mixer for concealed installation wall-mounted with cross handles and plate

Surfaces: Article Number: **39441000**



Spare part list

Year of production: **07/05 - 12/16**

Pos.		Article Number	Price	PU
1	handle	39295000	£ 110,00	1
2	escutcheon cold water	95243000	£ 51,00	1
3	escutcheon hot water	95242000	£ 51,00	1
4	escutcheon	97707000	£ 445,00	1
5	seal	97530000	£ 6,10	1
6	fixing set	96392000	£ 35,00	1
7	shower holder, assy	97705000	£ 96,00	1
8	escutcheon	97706000	£ 43,00	1
9	spout with selector, mousseur	97704000	£ 370,00	1
10	aerator M24x1 (25 l/min)	13956000	£ 9,00	1
11	escutcheon for spout	96760000	£ 64,00	1
12	connecting thread G½	97228000	£ 51,00	1
13	O-ring 16x2,5	98134000	£ 3,30	1
14	diverter knob	96466000	£ 16,10	1
15	sleeve	97738000	£ 6,10	1
16	selector assy	94077000	£ 43,00	1
17	set of non return valves DW 15	94074000	£ 16,10	1
18	shower hose 1,60 m	28626000	£ 46,00	1
19	handshower	26050000	£ 138,00	1
20	filter packing	94246000	£ 3,30	1
21	extension 25 mm	96259000	£ 79,00	1
22	sleeve	92856000	£ 16,10	1
a	base body	10303180	£ 300,00	1
b	extension 25 mm	95413000	£ 79,00	1
c	sealing foil	96383000	£ 46,00	1
d	diverter fixing device	97211000	£ 3,30	1