

AXOR Citterio
Bath spout
 Finish: **Chrome** Article Number: **39410000**



product features

- 1 function
- maximum flow rate at 3 bar: 21 l/min
- connection dimension: device connection DN20
- spray type: normal spray

Article Details

Price excl. VAT 308,33 £

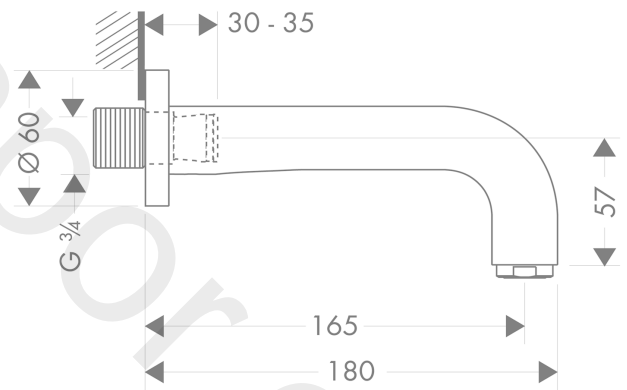
Technology



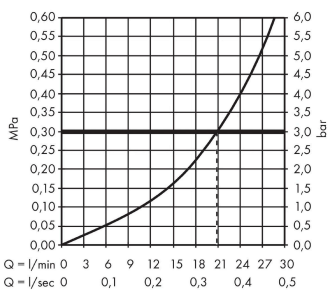
Product image



Scale drawing



Flowchart



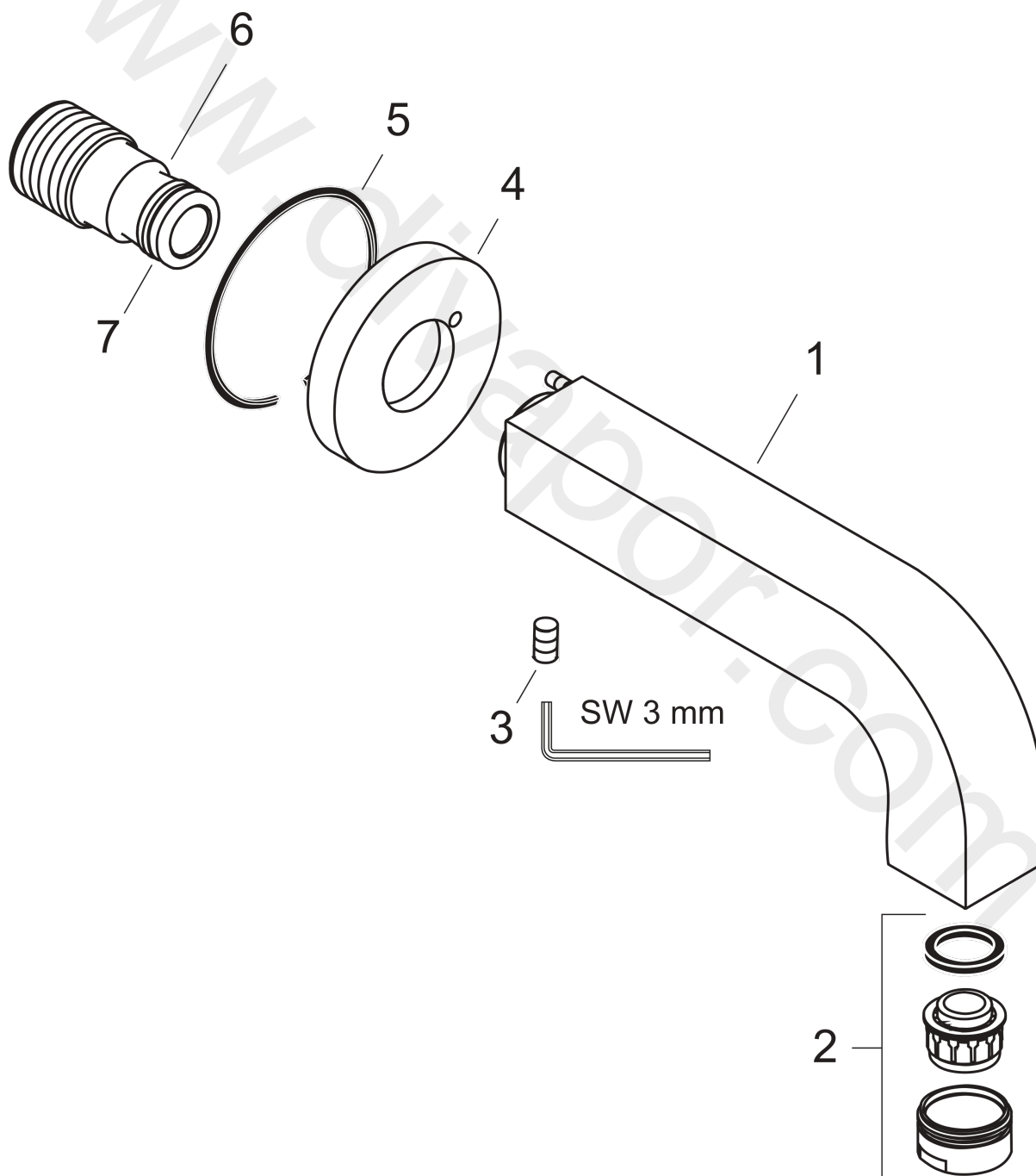
The consumption was measured in combination with the appropriate fittings (thermostat/mixer/ in-wall valve) to reflect actual application in practice.

AXOR Citterio
Bath spout
Finish: **Chrome** Article Number: **39410000**



Exploded Drawing

Year of production: >04/03



AXOR Citterio
Bath spout
 Finish: **Chrome** Article Number: **39410000**



Spare part list

Year of production: >04/03

Pos.		Article Number	Price	PU
1	spout 160 mm	97238000	£ 370,00	1
2	aerator M24x1 (25 l/min)	13956000	£ 9,00	1
3	hollow set screw M6x6	97660000	£ 3,30	1
4	escutcheon for spout	96756000	£ 64,00	1
5	seal	97530000	£ 6,10	1
6	connecting thread G $\frac{3}{4}$	96472000	£ 20,50	1
7	O-ring 16x2,5	98134000	£ 3,30	1
a	connecting thread G $\frac{1}{2}$	97228000	£ 51,00	1