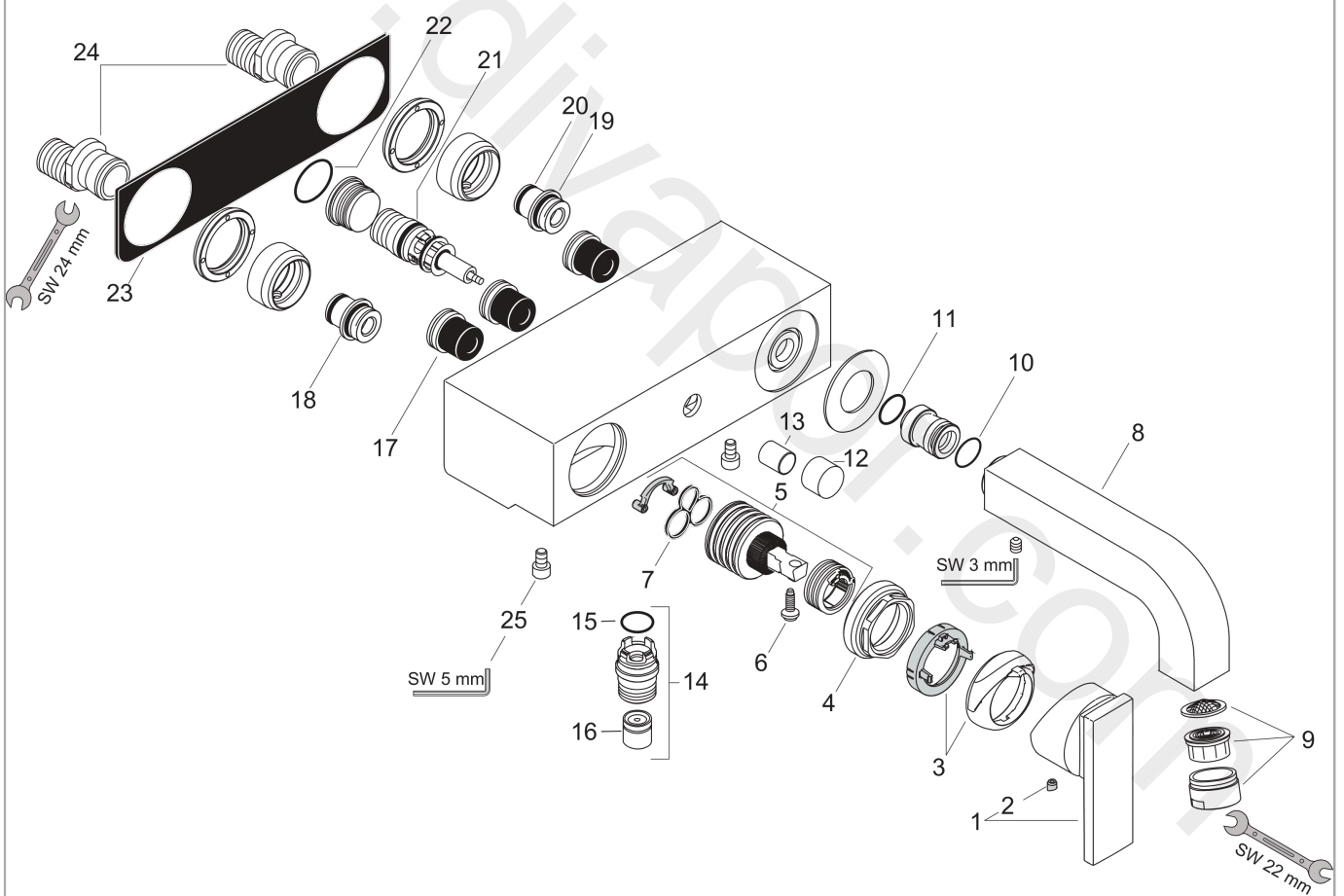


AXOR Citterio
Single lever bath mixer for exposed installation with lever handle
 Surfaces: Article Number: **39400420**



Exploded Drawing

Year of production: **04/03 - 09/07**



AXOR Citterio

Single lever bath mixer for exposed installation with lever handle

Surfaces: Article Number: **39400420**



Spare part list

Year of production: **04/03 - 09/07**

Pos.		Article Number	Price	PU
1	handle	39491420	-	1
2	screw cover	96338000	£ 3,30	1
3	flange (Rotating Protector)	96395XXX	> £ 43,00	-
4	nut	96461000	£ 35,00	1
5	cartridge, assy	92730000	£ 35,00	1
6	locking screw for handle	95140000	£ 6,10	1
7	seal	95008000	£ 9,00	1
8	spout 160 mm	97238420	-	1
9	aerator M24x1 (25 l/min)	13956XXX	> £ 9,00	-
10	O-ring 16x2,5	98134000	£ 3,30	1
11	O-ring 16x2	98133000	£ 3,30	1
12	diverter knob	96466420	£ 35,00	1
13	sleeve	97738420	£ 9,00	1
14	connecting thread	95367000	£ 25,00	1
15	O-ring 18x2	98181000	£ 6,10	1
16	set of non return valves DW 15	94074000	£ 16,10	1
17	noise reduction	94073000	£ 25,00	1
18	connecting thread	97236000	£ 13,30	1
19	O-ring 17x1,5	98137000	£ 3,30	1
20	O-Ring 13x3	98184000	£ 3,30	1
21	selector assy	94077000	£ 43,00	1
22	O-ring 23x2	98398000	£ 3,30	1
23	seal	97589000	£ 13,30	1
24	set of S-unions	94136000	£ 64,00	1
25	hexagon socket screw M6x10	92847000	£ 3,30	1
a	spout 220 mm	97239420	£ 830,00	1
b	diverter fixing device	97211000	£ 3,30	1