

AXOR Citterio

Single lever bath mixer for exposed installation with lever handle

Finish: **Chrome** Article Number: **39400000**



product features

- 2 functions
- projection: 241 mm
- centre distance: 150 ± 16 mm
- spray type mixer: normal spray
- maximum flow rate at 3 bar: 18 l/min
- flow rate for bath spout at 3 bar: 18 l/min
- flow rate of hand shower at 3 bar: 15 l/min
- ceramic cartridge
- temperature limitation adjustable
- diverter with automatic resetting
- non-return valve
- with silencer
- suitable for continuous flow water heaters
- connection dimension: DN15
- connection type: G $\frac{1}{2}$
- mounting type: wall-mounted
- min. operating pressure: 1 bar
- max. operating pressure: 10 bar

Article Details

Price excl. VAT

1.216,67 £

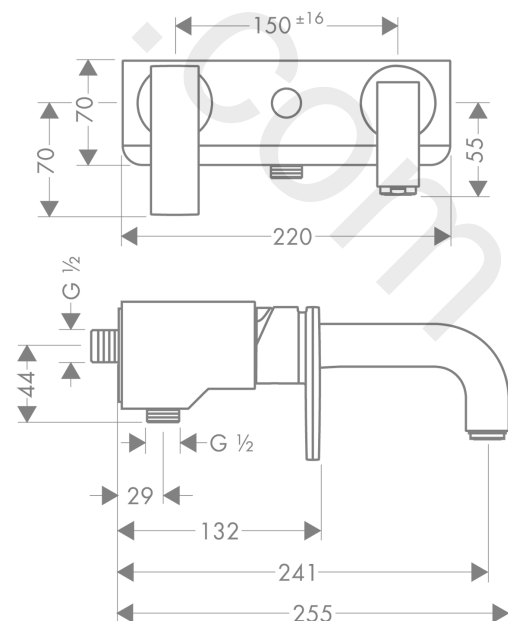
Technology



Product image



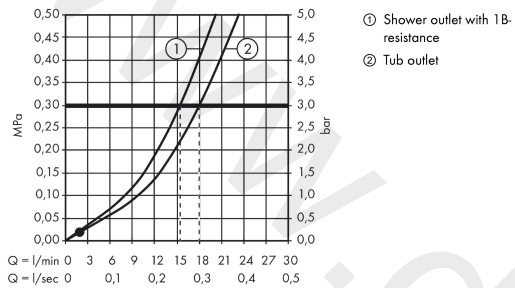
Scale drawing



AXOR Citterio
Single lever bath mixer for exposed installation with lever handle
 Finish: **Chrome** Article Number: **39400000**



Flowchart

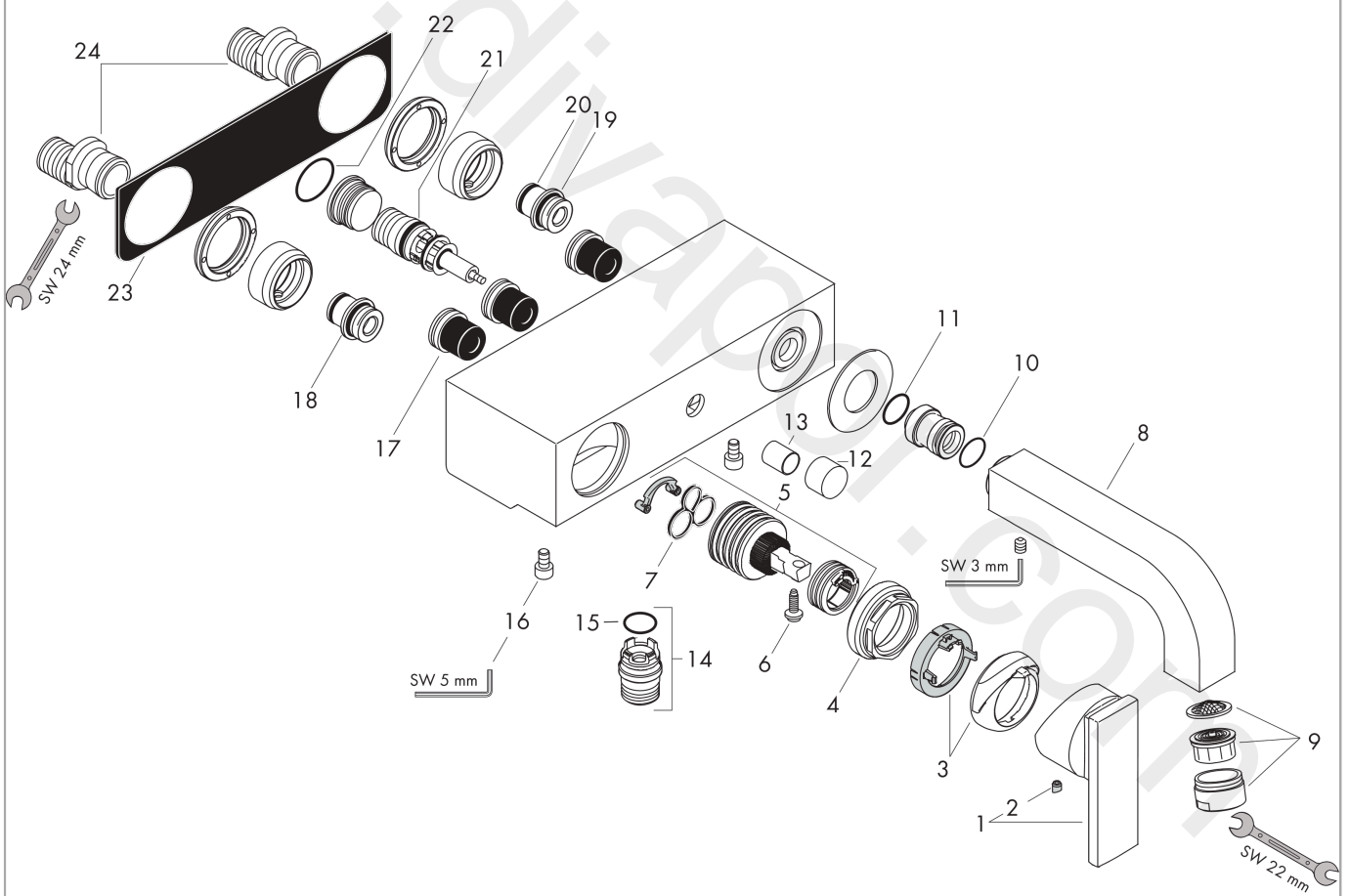


AXOR Citterio
Single lever bath mixer for exposed installation with lever handle
 Finish: **Chrome** Article Number: **39400000**



Exploded Drawing

Year of production: >05/20



AXOR Citterio
Single lever bath mixer for exposed installation with lever handle
 Finish: **Chrome** Article Number: **39400000**



Spare part list

Year of production: >05/20

Pos.		Article Number	Price	PU
1	handle	39491000	£ 79,00	1
2	screw cover	96338000	£ 3,30	1
3	flange (Rotating Protector)	96395000	£ 43,00	1
4	nut	96461000	£ 35,00	1
5	cartridge, assy	92730000	£ 35,00	1
6	locking screw for handle	95140000	£ 6,10	1
7	seal	95008000	£ 9,00	1
8	spout 160 mm	97238000	£ 370,00	1
9	aerator M24x1 (25 l/min)	13956000	£ 9,00	1
10	O-ring 16x2,5	98134000	£ 3,30	1
11	O-ring 16x2	98133000	£ 3,30	1
12	diverter knob	96466000	£ 16,10	1
13	sleeve	97738000	£ 6,10	1
14	connecting thread	95367000	£ 25,00	1
15	O-ring 18x2	98181000	£ 6,10	1
16	hexagon socket screw M6x10	92847000	£ 3,30	1
17	noise reduction	94073000	£ 25,00	1
18	connecting thread	97236000	£ 13,30	1
19	O-ring 17x1,5	98137000	£ 3,30	1
20	O-Ring 13x3	98184000	£ 3,30	1
21	selector assy	94077000	£ 43,00	1
22	O-ring 23x2	98398000	£ 3,30	1
23	seal	97589000	£ 13,30	1
24	set of S-unions	94136000	£ 64,00	1
a	spout 220 mm	97239000	£ 585,00	1
b	diverter fixing device	97211000	£ 3,30	1