

## AXOR Citterio

**3-hole basin mixer for concealed installation wall-mounted with spout 226 mm, cross handles and plate**

Finish: **Chrome** Article Number: **39144000**



### product features

- consists of: 3-hole basin mixer for concealed installation wall-mounted, waste set
- projection: 226 mm
- spray type: normal spray
- maximum flow rate at 3 bar: 5 l/min
- ceramic valves hot/ cold 180°
- suitable for continuous flow water heaters
- non-closing waste set
- connection type: basic set
- connection dimension: DN15
- WRAS 1906035

### Article Details

Price excl. VAT

925,00 £

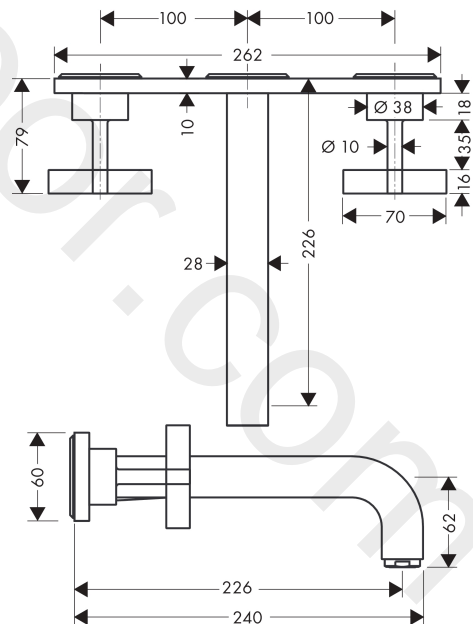
### Technology



### Product image



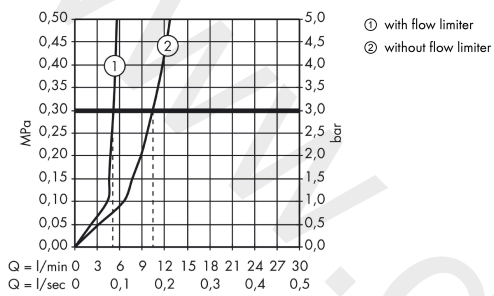
### Scale drawing



**AXOR Citterio**  
**3-hole basin mixer for concealed installation wall-mounted with spout 226 mm, cross handles and plate**  
 Finish: **Chrome** Article Number: **39144000**



## Flowchart

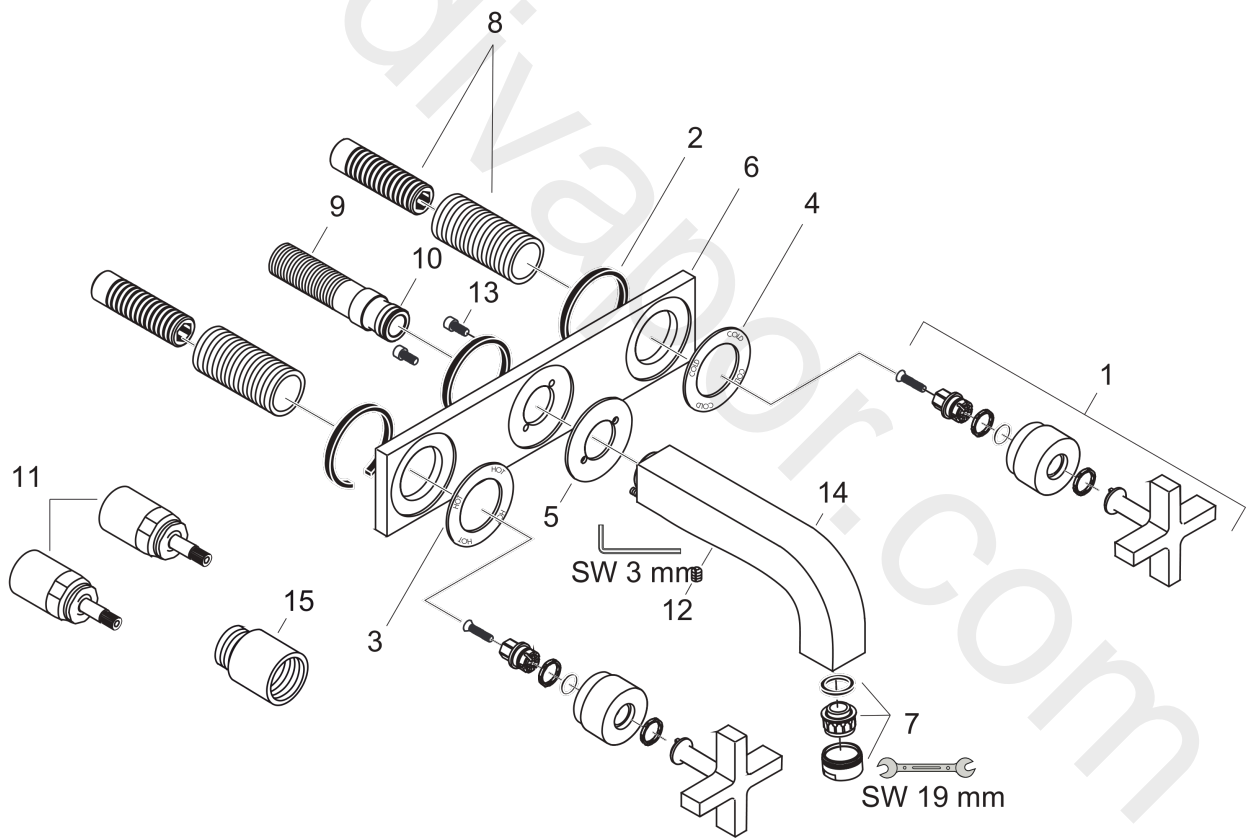


**AXOR Citterio**  
**3-hole basin mixer for concealed installation wall-mounted with spout 226 mm, cross handles and plate**  
Finish: **Chrome** Article Number: **39144000**



## Exploded Drawing

Year of production: >04/03



**AXOR Citterio**  
**3-hole basin mixer for concealed installation wall-mounted with spout 226 mm, cross handles**  
**and plate**

Finish: **Chrome** Article Number: **39144000**



## Spare part list

Year of production: >04/03

Pos.		Article Number	Price	PU
1	handle	39295000	£ 110,00	1
2	seal	97530000	£ 6,10	1
3	escutcheon hot water	96759000	£ 43,00	1
4	escutcheon cold water	96758000	£ 43,00	1
5	escutcheon for spout	96760000	£ 64,00	1
6	escutcheon	96757000	£ 275,00	1
7	aerator M24x1 (7 l/min)	13085000	£ 13,30	1
8	fixing set	96392000	£ 35,00	1
9	connecting thread G½	97228000	£ 51,00	1
10	O-ring 16x2,5	98134000	£ 3,30	1
11	extension 25 mm	96259000	£ 79,00	1
12	hollow set screw M6x6	97660000	£ 3,30	1
13	hexagon socket screw M4x10	97661000	£ 6,10	1
14	spout 220 mm	97239000	£ 585,00	1
15	extension 25 mm	95413000	£ 79,00	1
a	waste	50001000	£ 71,00	1
b	base body	10303180	£ 300,00	1