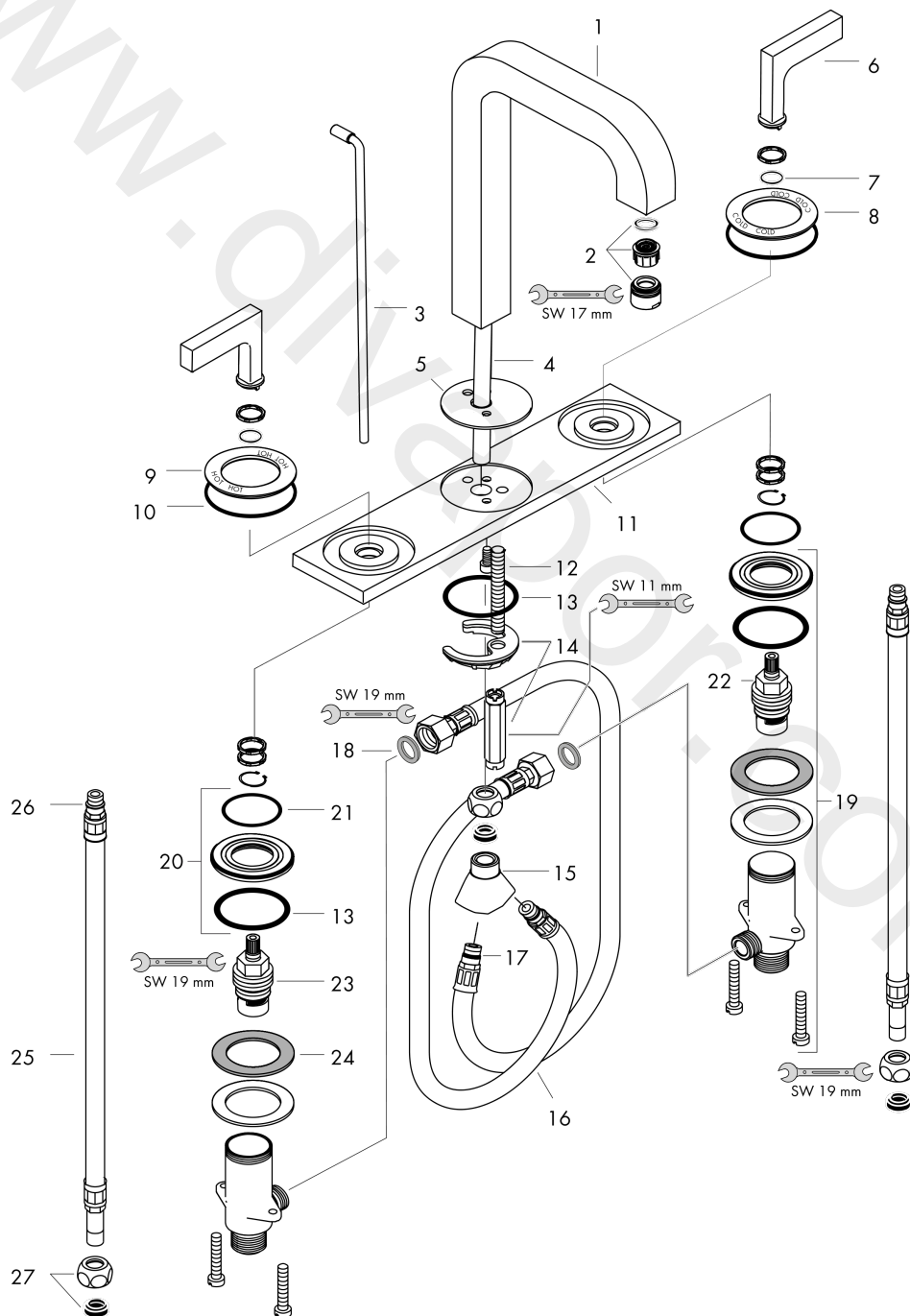


**AXOR Citterio**  
**3-hole basin mixer 170 with spout 140 mm, lever handles, plate and pop-up waste set**  
 Surfaces: Article Number: **39136000**



## Exploded Drawing

Year of production: **04/03 - 12/09**



## AXOR Citterio

**3-hole basin mixer 170 with spout 140 mm, lever handles, plate and pop-up waste set**

Surfaces: Article Number: **39136000**



### Spare part list

Year of production: **04/03 - 12/09**

Pos.		Article Number	Price	PU
1	spout 165 mm	95568000	£ 445,00	1
2	aerator laminar M18x1 (7 l/min)	96673000	£ 43,00	1
3	pop up rod	96676000	£ 25,00	1
4	supply pipe	95179000	-	1
5	escutcheon for spout	97803000	£ 64,00	1
6	handle	39293000	£ 79,00	1
7	O-ring 11x1,5	98385000	£ 3,30	1
8	escutcheon cold water	96679000	£ 51,00	1
9	escutcheon hot water	96678000	£ 51,00	1
10	O-ring 52x1,5	98200000	£ 6,10	1
11	escutcheon	96680000	£ 224,00	1
12	screw M8 x 68	97736000	£ 6,10	1
13	O-ring 40x3	92634000	£ 3,30	1
14	fixing set	96016000	£ 35,00	1
15	hose connection angel	97753000	£ 51,00	1
16	connection hose 450 mm M10x1 G3/8	96507000	£ 43,00	1
17	O-ring 8x1,75	97827000	£ 3,30	1
18	sealing set	95581000	£ 6,10	1
19	stop valve cpl.	97357000	£ 137,00	1
20	nut	92854000	£ 20,50	1
21	O-Ring 32x2,5	96364000	£ 25,00	1
22	shut off unit right closing	94009000	£ 43,00	1
23	shut off unit left closing	94008000	£ 43,00	1
24	lever collar	97548000	£ 3,30	1
25	connection hose 450 mm M8x0,75 G3/8	97206000	£ 35,00	1
26	O-ring 7x1,5	98422000	£ 3,30	1
27	squeezing connection	94158000	£ 9,00	1
a	pop up waste	94139000	£ 96,00	1
b	fixation extension 35 mm	13898000	£ 79,00	1