

AXOR Citterio

3-hole basin mixer 170 with spout 140 mm, cross handles, plate and pop-up waste set 2 ticks

Finish: **Chrome** Article Number: **39130009**



product features

- consists of: 3-hole basin mixer, waste set
- ComfortZone 170
- projection: 140 mm
- spout height: 166 mm
- handle variant: cross handle
- spray type: normal spray
- maximum flow rate at 3 bar: 2,8 l/min
- ceramic valves hot/ cold 180°
- pop-up waste set G 1¼
- connection type: G ½ connections
- connection dimension: DN15
- for use only at flat, plain surfaces

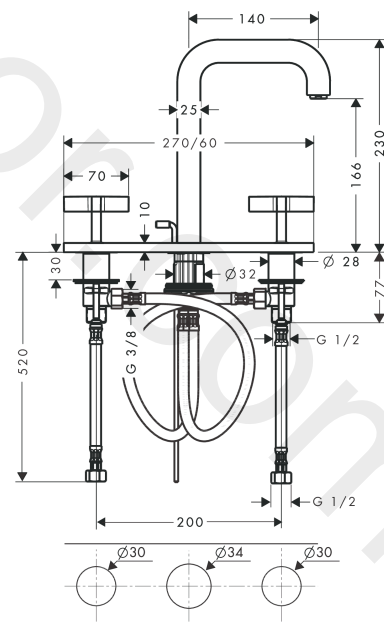
Technology



Product image



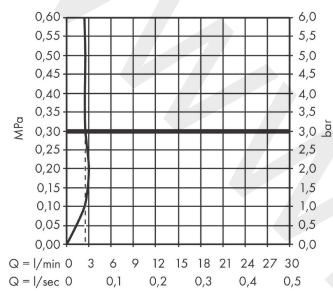
Scale drawing



AXOR Citterio
3-hole basin mixer 170 with spout 140 mm, cross handles, plate and pop-up waste set 2 ticks
Finish: **Chrome** Article Number: **39130009**



Flowchart

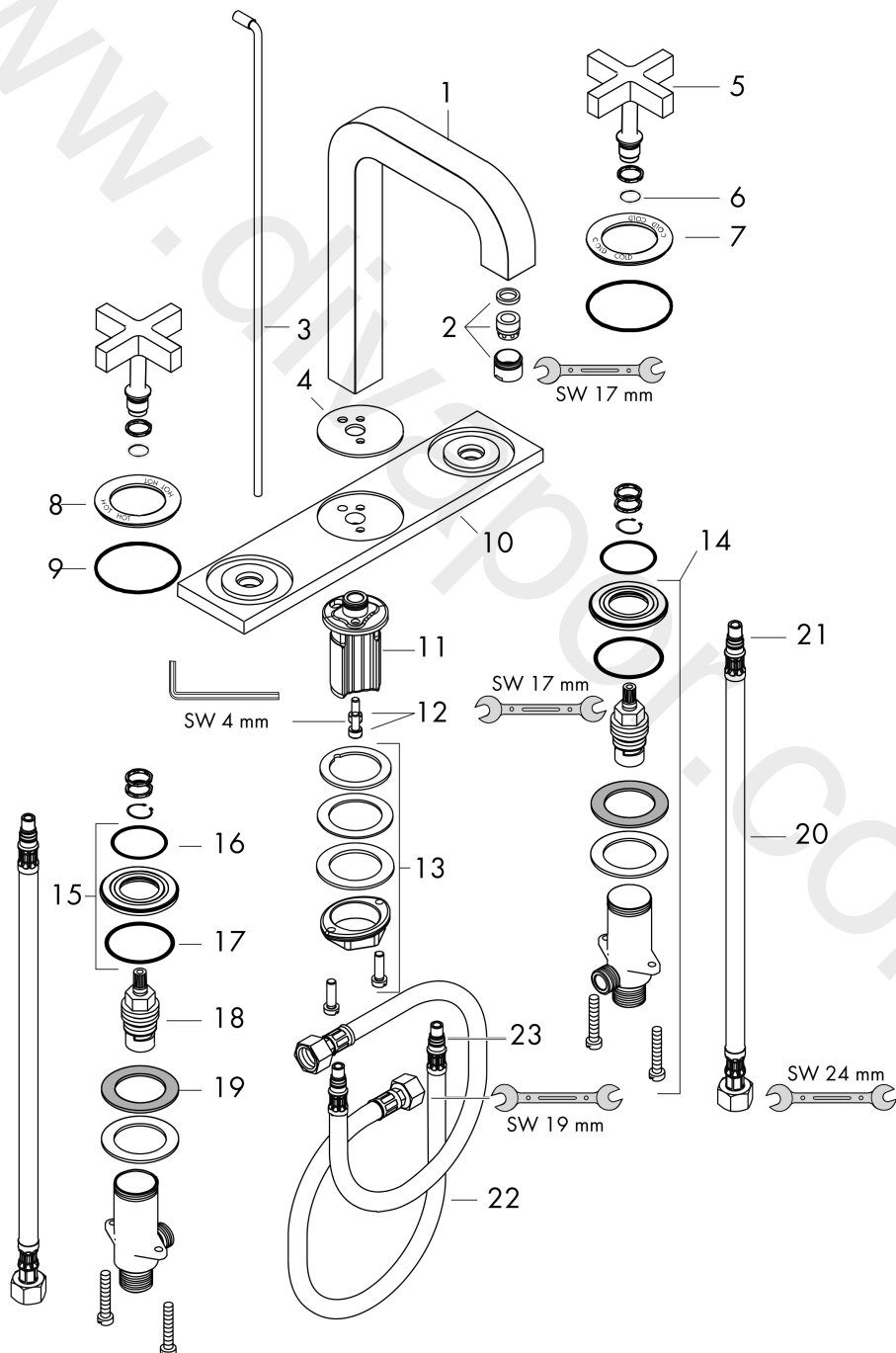


AXOR Citterio
3-hole basin mixer 170 with spout 140 mm, cross handles, plate and pop-up waste set 2 ticks
 Finish: **Chrome** Article Number: **39130009**



Exploded Drawing

Year of production: >04/20



AXOR Citterio
3-hole basin mixer 170 with spout 140 mm, cross handles, plate and pop-up waste set 2 ticks
 Finish: **Chrome** Article Number: **39130009**



Spare part list

Year of production: >04/20

Pos.		Article Number	Price	PU
1	spout 165 mm	95568000	£ 445,00	1
2	aerator M18x1 (3,5 l/min)	92716000	£ 51,00	1
3	pop up rod	96676000	£ 25,00	1
4	escutcheon	95571000	£ 43,00	1
5	handle	39291000	£ 79,00	1
6	O-ring 11x1,5	98385000	£ 3,30	1
7	escutcheon cold water	96679000	£ 51,00	1
8	escutcheon hot water	96678000	£ 51,00	1
9	O-ring 52x1,5	98200000	£ 6,10	1
10	escutcheon	95570000	£ 275,00	1
11	O-ring 12x2	98214000	£ 3,30	1
12	hexagon socket screw M5x12	98639000	£ 3,30	1
13	fixing set (Ø 32)	13961000	£ 25,00	1
14	stop valve cpl.	97357000	£ 137,00	1
15	nut	92854000	£ 20,50	1
16	O-Ring 32x2,5	96364000	£ 25,00	1
17	O-ring 40x3	92634000	£ 3,30	1
18	shut off unit	94149000	£ 35,00	1
19	lever collar	97548000	£ 3,30	1
20	connection hose 450 mm M8x0,75 G½	97443000	£ 20,50	1
21	O-ring 7x1,5	98422000	£ 3,30	1
22	connection hose 450 mm M10x1 G3/8	96507000	£ 43,00	1
23	O-ring 8x1,75	97827000	£ 3,30	1
a	pop up waste	51302000	£ 115,00	1
b	pop up waste	94139000	£ 96,00	1