

AXOR Citterio

Single lever basin mixer for concealed installation wall-mounted with lever handle, spout 220 mm and plate

Finish: **Chrome** Article Number: **39119000**



product features

- consists of: single lever basin mixer for concealed installation wall-mounted, waste set
- projection: 220 mm
- handle variant: lever handle
- spray type: normal spray
- maximum flow rate at 3 bar: 5 l/min
- ceramic cartridge
- suitable for continuous flow water heaters
- non-closing waste set
- connection type: basic set
- connection dimension: DN15
- handle can be positioned on the right or left, depending on the basic set installation
- EU taxonomy: max. 6 l/min - Substantial Contribution (SC) possible
- WRAS 2303030
- WRAS 2303030 - Approval letter 2303030

Article Details

Price excl. VAT

691,67 £

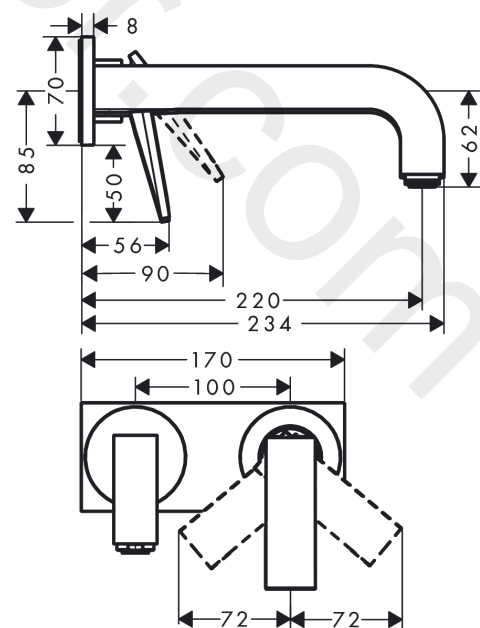
Technology



Product image



Scale drawing



AXOR Citterio
Single lever basin mixer for concealed installation wall-mounted with lever handle, spout 220 mm and plate
Finish: **Chrome** Article Number: **39119000**



Flowchart

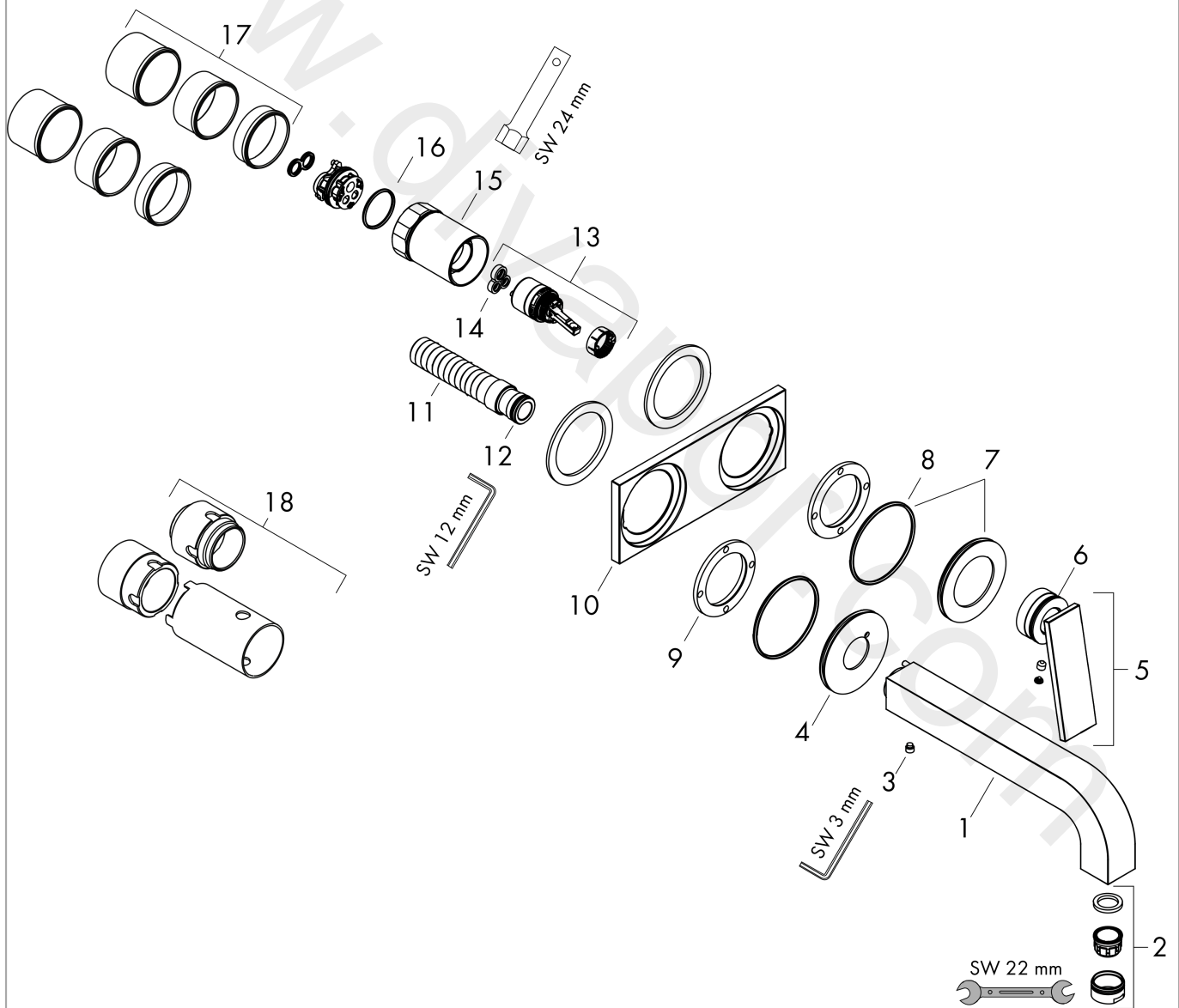


AXOR Citterio
Single lever basin mixer for concealed installation wall-mounted with lever handle, spout 220 mm and plate
 Finish: **Chrome** Article Number: **39119000**



Exploded Drawing

Year of production: >04/21



AXOR Citterio
Single lever basin mixer for concealed installation wall-mounted with lever handle, spout 220 mm and plate
 Finish: **Chrome** Article Number: **39119000**



Spare part list

Year of production: >04/21

Pos.		Article Number	Price	PU
1	spout 220 mm	97239000	£ 585,00	1
2	aerator M24x1 (5 l/min)	13185000	£ 22,30	1
3	hollow set screw M6x6	97660000	£ 3,30	1
4	escutcheon for spout	97695000	£ 64,00	1
5	handle	94320000	£ 137,00	1
6	O-ring 33x1,5	98164000	£ 3,30	1
7	escutcheon for handle	96912000	£ 51,00	1
8	O-ring 57x2,5	98394000	£ 6,10	1
9	nut	97601000	£ 20,50	1
10	escutcheon	96914000	£ 224,00	1
11	connecting thread G½	97228000	£ 51,00	1
12	O-ring 16x2,5	98134000	£ 3,30	1
13	cartridge, assy	92900000	£ 64,00	1
14	seal	93383000	£ 13,30	1
15	sleeve	93373000	£ 110,00	1
16	O-ring 26x2	98147000	£ 3,30	1
17	fixing set	97971000	£ 43,00	1
18	extension 25 mm	13586000	£ 169,00	1
a	pop up waste	51301000	£ 87,00	1