

AXOR Citterio
Single lever basin mixer 160 with lever handle and pop-up waste set 2 ticks - rhombic cut
 Finish: **Chrome** Article Number: **39071009**



product features

- consists of: single lever basin mixer, waste set
- ComfortZone 160
- projection: 143 mm
- spout height: 156 mm
- handle variant: lever handle
- spray type: normal spray
- maximum flow rate at 3 bar: 3,5 l/min
- ceramic cartridge
- suitable for continuous flow water heaters
- pop-up waste set G 1¼
- connection type: G ½ connections
- connection dimension: DN15

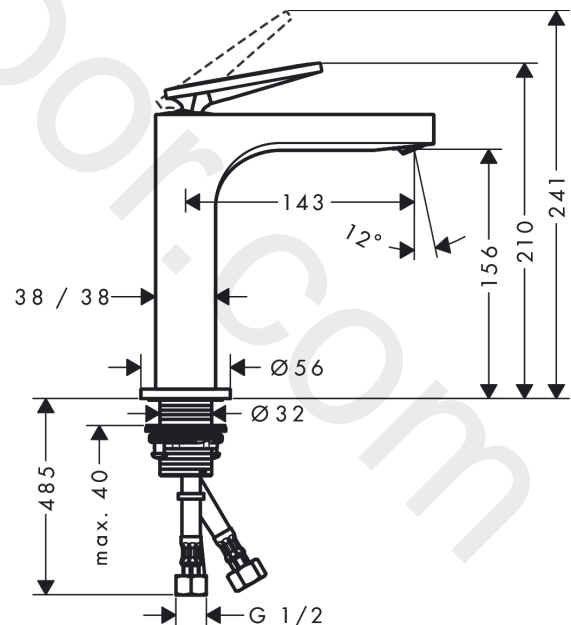
Technology



Product image



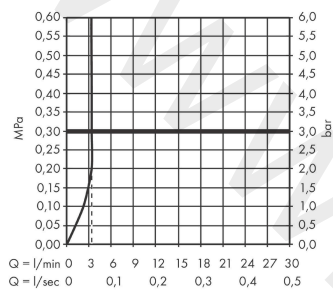
Scale drawing



AXOR Citterio
Single lever basin mixer 160 with lever handle and pop-up waste set 2 ticks - rhombic cut
Finish: **Chrome** Article Number: **39071009**



Flowchart

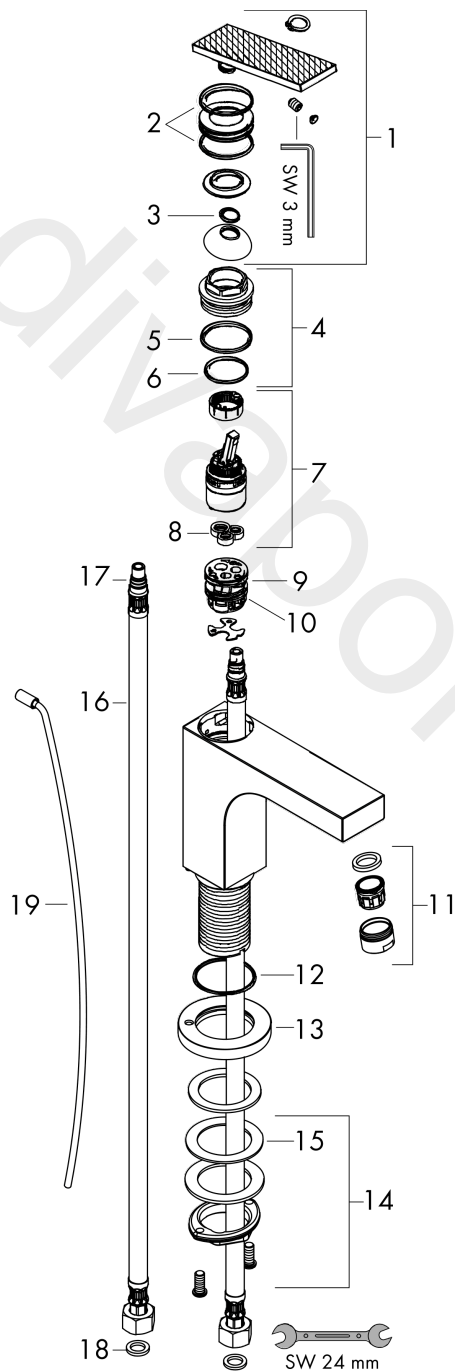


AXOR Citterio
Single lever basin mixer 160 with lever handle and pop-up waste set 2 ticks - rhombic cut
 Finish: **Chrome** Article Number: **39071009**



Exploded Drawing

Year of production: >10/21



AXOR Citterio
Single lever basin mixer 160 with lever handle and pop-up waste set 2 ticks - rhombic cut
 Finish: **Chrome** Article Number: **39071009**



Spare part list

Year of production: >10/21

Pos.		Article Number	Price	PU
1	handle	94383000	£ 137,00	1
2	O-ring 30x1,5	98433000	£ 3,30	1
3	O-ring 11x1	92924000	-	1
4	nut	94092000	£ 96,00	1
5	O-ring 29x2	98391000	£ 3,30	1
6	O-ring 25x1,5	98146000	£ 3,30	1
7	cartridge, assy	92900000	£ 64,00	1
8	seal	93383000	£ 13,30	1
9	adapter for cartridge	98866000	£ 35,00	1
10	O-ring 23x2	98398000	£ 3,30	1
11	aerator M24x1	98453000	£ 20,50	1
12	O-ring 33x1,5	98164000	£ 3,30	1
13	escutcheon	95668000	£ 64,00	1
14	fixing set (Ø 32)	13961000	£ 25,00	1
15	lever collar	97548000	£ 3,30	1
16	connection hose 600 mm M8x0,75 G1/2	92482000	£ 43,00	1
17	O-ring 7x1,5	98422000	£ 3,30	1
18	sealing set	95581000	£ 6,10	1
19	pull rod	96923000	£ 35,00	1
a	pop up waste	51302000	£ 115,00	1