

AXOR Citterio

Single lever basin mixer 160 with lever handle and pop-up waste set - rhombic cut

Finish: **Chrome** Article Number: **39071000**



product features

- consists of: single lever basin mixer, waste set
- ComfortZone 160
- projection: 143 mm
- spout height: 156 mm
- handle variant: lever handle
- spray type: laminar spray
- swiveling spray former
- maximum flow rate at 3 bar: 5 l/min
- ceramic cartridge
- suitable for continuous flow water heaters
- pop-up waste set G 1¼
- connection type: G ¾ connections
- connection dimension: DN15
- EU taxonomy: max. 6 l/min - Substantial Contribution (SC) possible
- WRAS 2110094
- WRAS 2110094 - Approval letter

Article Details

Price excl. VAT

600,00 £

Technology



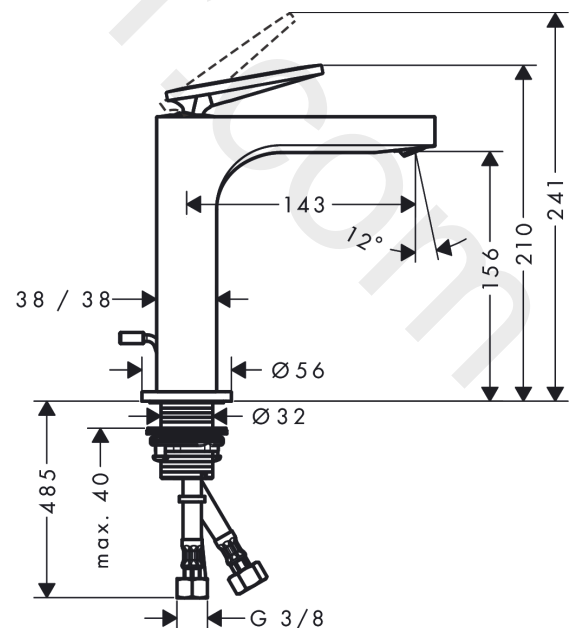
Design awards



Product image



Scale drawing



AXOR Citterio
Single lever basin mixer 160 with lever handle and pop-up waste set - rhombic cut
Finish: **Chrome** Article Number: **39071000**



Flowchart

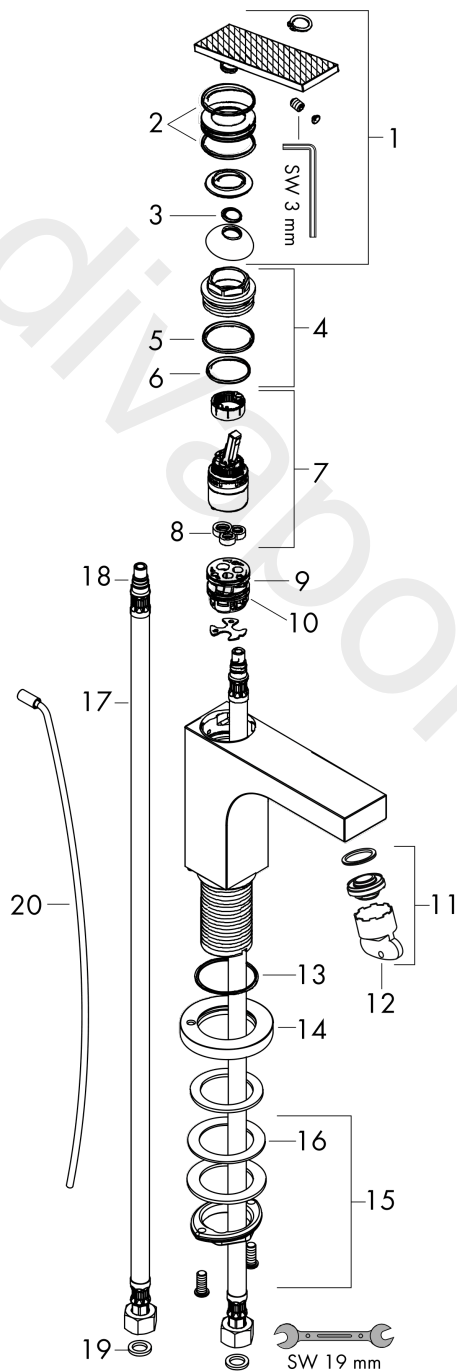


AXOR Citterio
Single lever basin mixer 160 with lever handle and pop-up waste set - rhombic cut
Finish: **Chrome** Article Number: **39071000**



Exploded Drawing

Year of production: >06/21



AXOR Citterio
Single lever basin mixer 160 with lever handle and pop-up waste set - rhombic cut
 Finish: **Chrome** Article Number: **39071000**



Spare part list

Year of production: >06/21

Pos.		Article Number	Price	PU
1	handle	94383000	£ 137,00	1
2	O-ring 30x1,5	98433000	£ 3,30	1
3	O-ring 11x1	92924000	-	1
4	nut	94092000	£ 96,00	1
5	O-ring 29x2	98391000	£ 3,30	1
6	O-ring 25x1,5	98146000	£ 3,30	1
7	cartridge, assy	92900000	£ 64,00	1
8	seal	93383000	£ 13,30	1
9	adapter for cartridge	98866000	£ 35,00	1
10	O-ring 23x2	98398000	£ 3,30	1
11	aerator M24x1 (5 l/min)	13185000	£ 22,30	1
12	special tool	95290000	£ 9,00	1
13	O-ring 33x1,5	98164000	£ 3,30	1
14	escutcheon	95668000	£ 64,00	1
15	fixing set (Ø 32)	13961000	£ 25,00	1
16	lever collar	97548000	£ 3,30	1
17	connection hose 600 mm M8x0,75 G3/8	96556000	£ 25,00	1
18	O-ring 7x1,5	98422000	£ 3,30	1
19	sealing set	95581000	£ 6,10	1
20	pull rod	96923000	£ 35,00	1
a	pop up waste	51302000	£ 115,00	1
b	pop up waste	94139007	-	1
c	fixation extension 35 mm	13898000	£ 79,00	1