

AXOR Citterio
Single lever basin mixer 280 with pin handle for wash bowls with pop-up waste set
 Finish: **Brushed Bronze** Article Number: **39020140**



product features

- consists of: single lever basin mixer, waste set
- ComfortZone 280
- projection: 201 mm
- spout height: 277 mm
- handle variant: pin handle
- spray type: normal spray
- maximum flow rate at 3 bar: 5 l/min
- ceramic cartridge
- suitable for continuous flow water heaters
- pop-up waste set G 1¼
- connection type: G ¾ connections
- connection dimension: DN15
- WRAS 2304042
- WRAS 2304042 - Approval letter 2304042

Article Details

Price excl. VAT 1.637,50 £

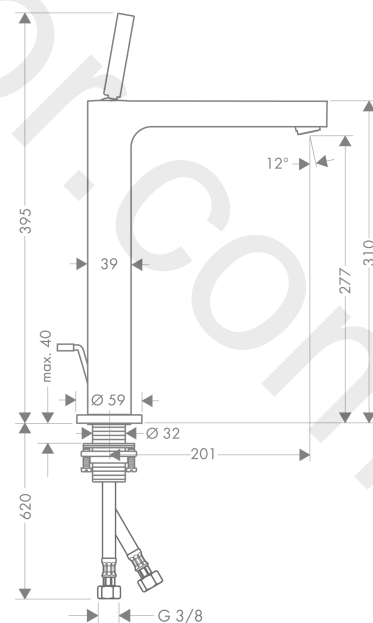
Technology



Product image



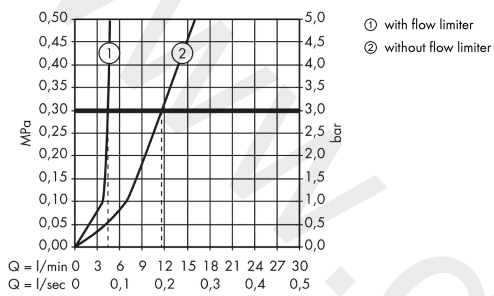
Scale drawing



AXOR Citterio
Single lever basin mixer 280 with pin handle for wash bowls with pop-up waste set
 Finish: **Brushed Bronze** Article Number: **39020140**



Flowchart

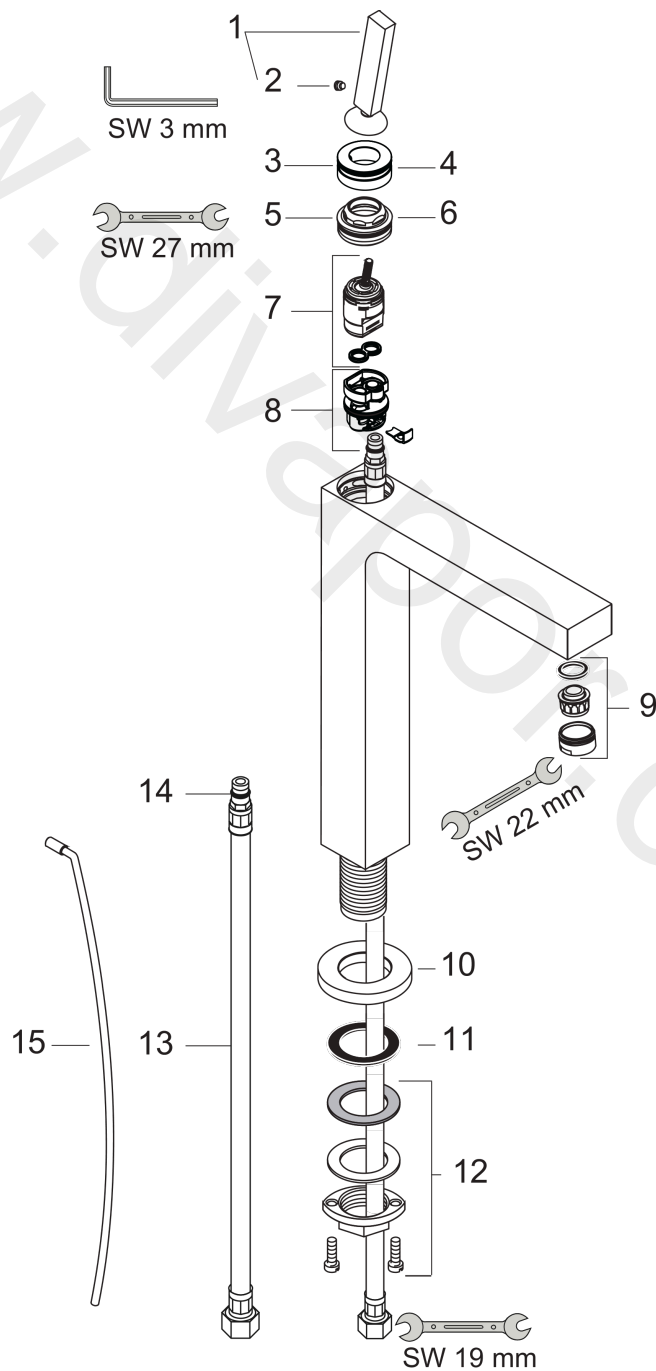


AXOR Citterio
Single lever basin mixer 280 with pin handle for wash bowls with pop-up waste set
 Finish: **Brushed Bronze** Article Number: **39020140**



Exploded Drawing

Year of production: >10/16



AXOR Citterio
Single lever basin mixer 280 with pin handle for wash bowls with pop-up waste set
 Finish: **Brushed Bronze** Article Number: **39020140**



Spare part list

Year of production: >10/16

Pos.		Article Number	Price	PU
1	handle	39091140	£ 260,00	1
2	hollow set screw M6x6	97660000	£ 3,30	1
3	escutcheon	97466140	£ 76,50	1
4	O-ring 33x1,5	98164000	£ 3,30	1
5	nut	97157000	£ 20,50	1
6	O-Ring 30x2	98186000	£ 3,30	1
7	cartridge, assy	96339000	£ 79,00	1
8	adapter for cartridge	92186000	£ 13,30	1
9	aerator M24x1 (5 l/min)	13185140	£ 33,48	1
10	escutcheon	97807140	£ 96,00	1
11	lever collar	97548000	£ 3,30	1
12	fixing set (Ø 32)	13961000	£ 25,00	1
13	connection hose 900 mm M8x0,75 G3/8	96316000	£ 43,00	1
14	O-ring 7x1,5	98422000	£ 3,30	1
15	pull rod	96923140	£ 52,50	1
a	pop up waste	94139140	£ 163,00	1
b	fixation extension 35 mm	13898000	£ 79,00	1
c	service tool for disassembling the handle	92124000	£ 137,00	1