

AXOR Citterio
Single lever basin mixer 110 with pin handle and waste set
 Finish: **Chrome** Article Number: **39018000**



product features

- consists of: single lever basin mixer, waste set
- ComfortZone 110
- projection: 104 mm
- spout height: 112 mm
- handle variant: pin handle
- spray type: normal spray
- maximum flow rate at 3 bar: 5 l/min
- ceramic cartridge
- suitable for continuous flow water heaters
- non-closing waste set
- connection type: G 3/8 connections
- connection dimension: DN15
- WRAS 1806017
- WRAS 1806017 - Approval letter
- WRAS 2304042
- WRAS 2304042 - Approval letter 2304042

Article Details

Price excl. VAT

725,00 £

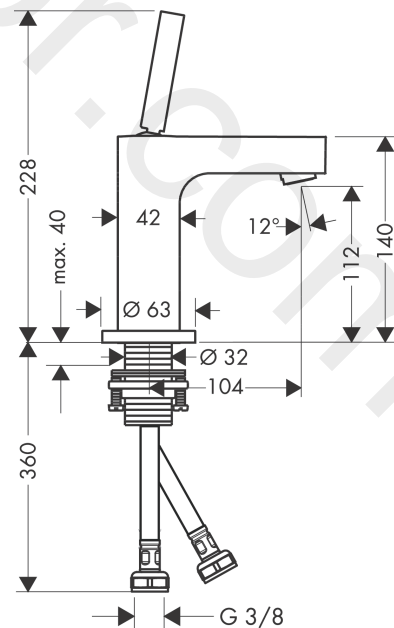
Technology



Product image



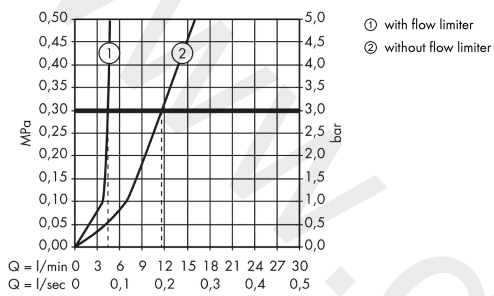
Scale drawing



AXOR Citterio
Single lever basin mixer 110 with pin handle and waste set
 Finish: **Chrome** Article Number: **39018000**



Flowchart

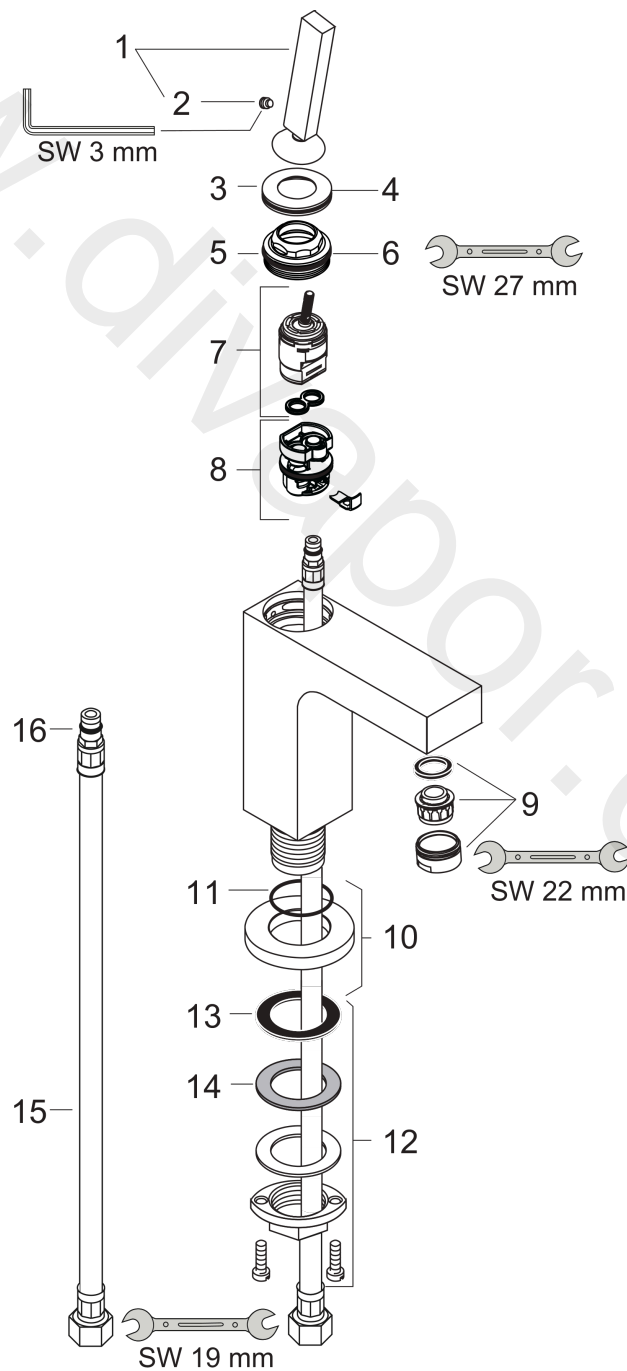


AXOR Citterio
Single lever basin mixer 110 with pin handle and waste set
 Finish: **Chrome** Article Number: **39018000**



Exploded Drawing

Year of production: >10/10



AXOR Citterio
Single lever basin mixer 110 with pin handle and waste set
 Finish: **Chrome** Article Number: **39018000**



Spare part list

Year of production: >10/10

Pos.		Article Number	Price	PU
1	handle	39091000	£ 173,00	1
2	hollow set screw M6x6	97660000	£ 3,30	1
3	escutcheon	96671000	£ 51,00	1
4	O-ring 33x1,5	98164000	£ 3,30	1
5	nut	97157000	£ 20,50	1
6	O-Ring 30x2	98186000	£ 3,30	1
7	cartridge, assy	96339000	£ 79,00	1
8	adapter for cartridge	92186000	£ 13,30	1
9	aerator M24x1 (5 l/min)	13185000	£ 22,30	1
10	escutcheon	95396000	£ 51,00	1
11	O-ring 26x2	98147000	£ 3,30	1
12	fixing set (Ø 32)	13961000	£ 25,00	1
13	sealing washer	97825000	£ 3,30	1
14	lever collar	97548000	£ 3,30	1
15	connection hose 450 mm M8x0,75 G3/8	97206000	£ 35,00	1
16	O-ring 7x1,5	98422000	£ 3,30	1
a	waste	50001000	£ 71,00	1
b	fixation extension 35 mm	13898000	£ 79,00	1
c	service tool for disassembling the handle	92124000	£ 137,00	1