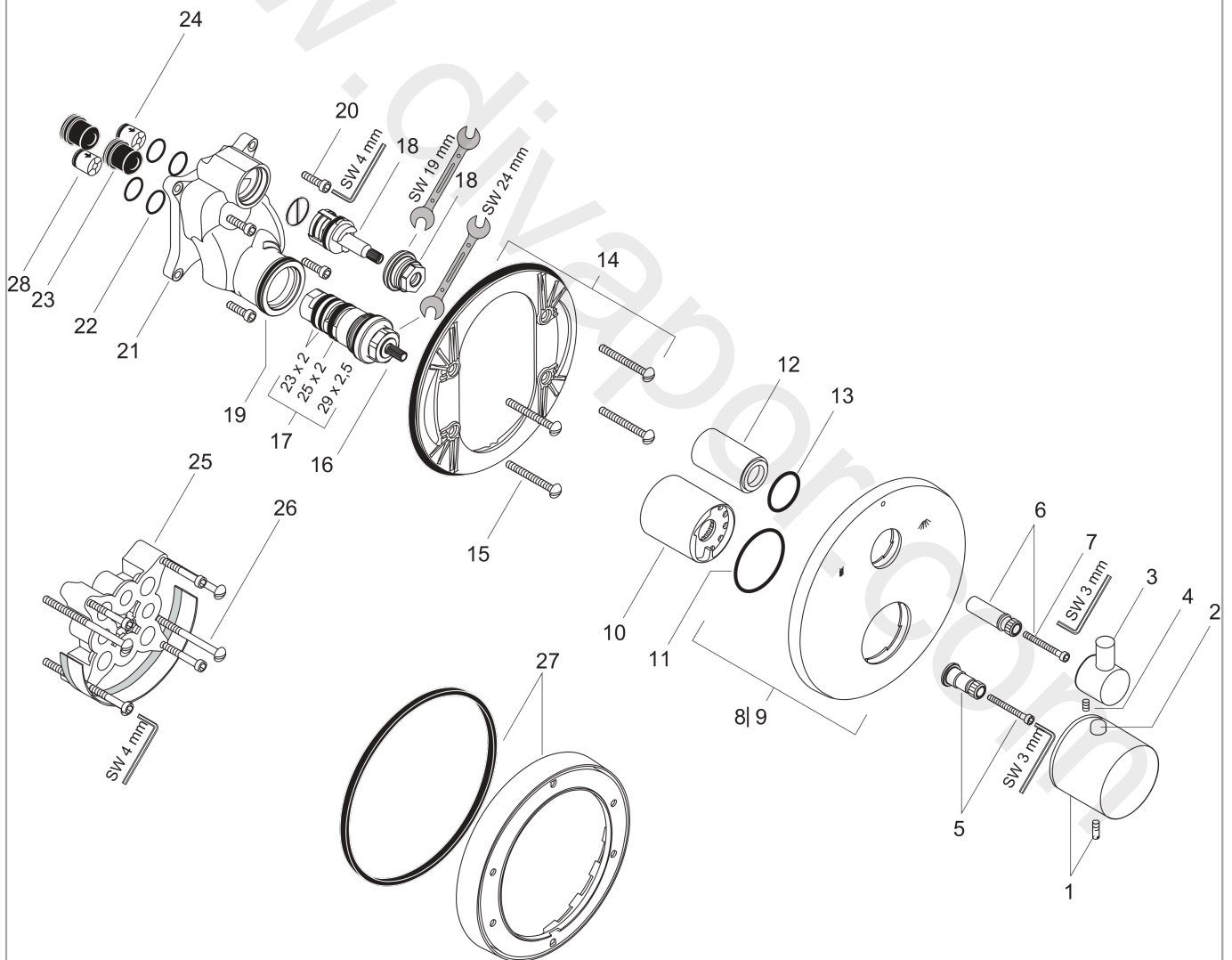


AXOR Uno
Thermostat for concealed installation with shut-off/ diverter valve
 Surfaces: Article Number: **38720000**



Exploded Drawing

Year of production: **05/11 - 08/12**



AXOR Uno

Thermostat for concealed installation with shut-off/ diverter valve

Surfaces: Article Number: **38720000**



Spare part list

Year of production: **05/11 - 08/12**

Pos.		Article Number	Price	PU
1	handle for thermostat	38391000	£ 64,00	1
2	pushbutton red	97212000	£ 25,00	1
3	handle	96421000	£ 64,00	1
4	hollow set screw M4x8	97669000	£ 3,30	1
5	adapter for handle	96435000	£ 20,50	1
6	adapter for handle	96451000	£ 16,10	1
7	hexagon socket screw M4x35	92160000	£ 3,30	1
8	escutcheon Ø 170 mm	95805000	£ 137,00	1
9	escutcheon for exchanged connections	97193000	£ 64,00	1
10	sleeve	96439000	£ 43,00	1
11	O-Ring 48x3	95508000	£ 3,30	1
12	sleeve	96446000	£ 35,00	1
13	O-ring 29x3	98371000	£ 6,10	1
14	sub plate	96447000	£ 51,00	1
15	set of fixing screws	96454000	£ 9,00	1
16	thermostat cartridge	94282000	£ 137,00	1
17	sealing set	95037000	£ 51,00	1
18	shut off unit with selector	96509000	£ 96,00	1
19	O-ring 39x2	98158000	£ 3,30	1
20	set of screws	96525000	£ 9,00	1
21	installation unit cpl.	92591000	£ 370,00	1
22	O-ring 16x2	98133000	£ 3,30	1
23	noise reduction	94073000	£ 25,00	1
24	set of non return valves DW 15	94074000	£ 16,10	1
25	extension 25 mm	13595000	£ 75,00	1
26	set of fixing screws	97747000	£ 3,30	1
27	extension 22 mm (Ø 170 mm)	13596000	£ 72,00	1
28	non return valve (pressure-resistant up to 2 MPa)	92594000	£ 16,10	1
a	concealed item	01800180	£ 163,00	1
b	pushbutton	97792000	£ 16,10	1
c	non return valve with filter	92499000	£ 16,10	1