

AXOR Uno
Thermostat HighFlow for concealed installation
 Finish: **Chrome** Article Number: **38715000**



product features

- thermostat cartridge
- maximum flow rate at 3 bar: 59 l/min
- flow rate upper outlet: 42 l/min
- flow rate lower outlet: 42 l/min
- min. operating pressure: 1 bar
- max. operating pressure: 10 bar
- safety stop at 40 °C
- temperature limitation adjustable
- with silencer
- connection type: basic set
- WRAS 2305061
- WRAS 2305061 - Approval letter 2305061

Article Details

Price excl. VAT 633,33 £

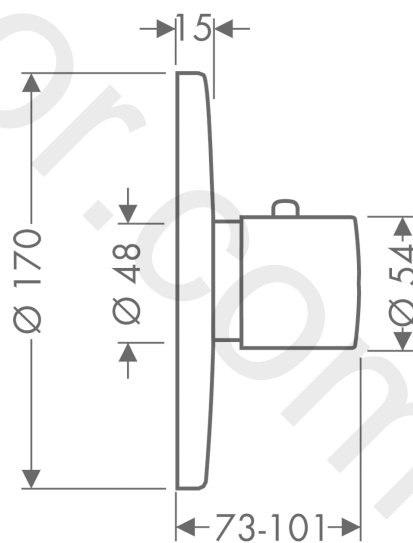
Technology



Product image



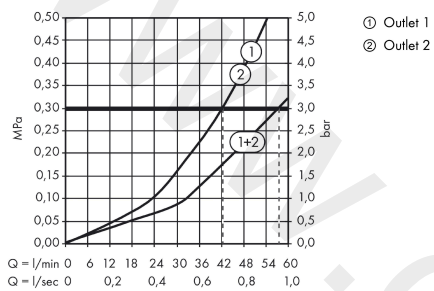
Scale drawing



AXOR Uno
Thermostat HighFlow for concealed installation
Finish: **Chrome** Article Number: **38715000**



Flowchart

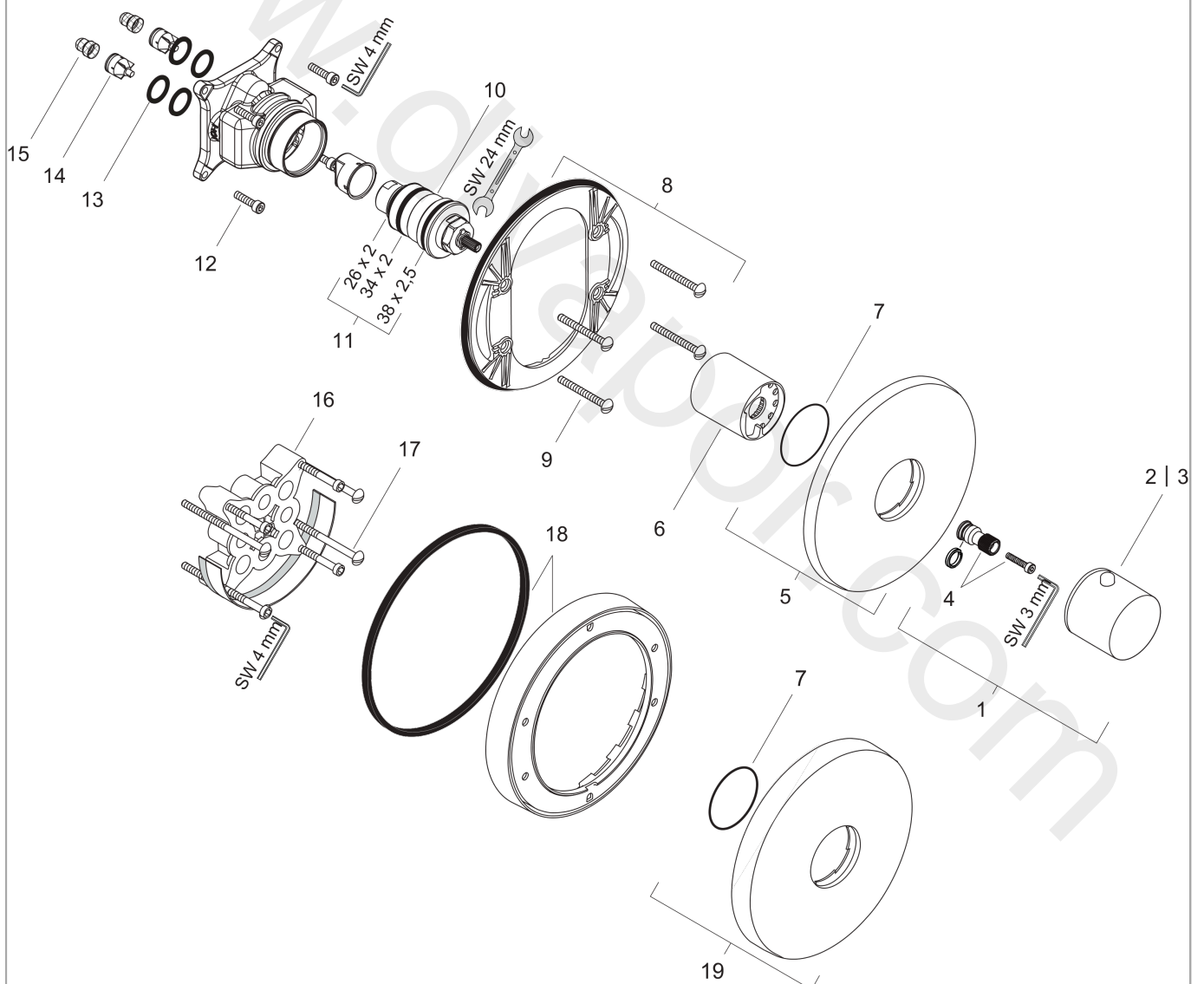


AXOR Uno
Thermostat HighFlow for concealed installation
 Finish: **Chrome** Article Number: **38715000**



Exploded Drawing

Year of production: >09/12



AXOR Uno
Thermostat HighFlow for concealed installation
 Finish: **Chrome** Article Number: **38715000**



Spare part list

Year of production: >09/12

Pos.		Article Number	Price	PU
1	handle for thermostat	38391000	£ 64,00	1
2	pushbutton	92848000	£ 6,10	1
3	pushbutton red	97212000	£ 25,00	1
4	adapter for handle	96435000	£ 20,50	1
5	escutcheon Ø 170 mm	95803000	£ 137,00	1
6	sleeve	97439000	£ 43,00	1
7	O-Ring 48x3	95508000	£ 3,30	1
8	sub plate	96447000	£ 51,00	1
9	set of fixing screws	96454000	£ 9,00	1
10	thermostat cartridge	96633000	£ 137,00	1
11	sealing set	96636000	£ 51,00	1
12	set of screws	96525000	£ 9,00	1
13	O-ring 16x2	98133000	£ 3,30	1
14	set of non return valves DW 15	97350000	£ 20,50	1
15	filter	98513000	£ 3,30	1
16	extension 25 mm	13595000	£ 75,00	1
17	set of fixing screws	97747000	£ 3,30	1
18	extension 22 mm (Ø 170 mm)	13596000	£ 72,00	1
19	escutcheon height = 33 mm (when wall is not deep enough).	14960000	£ 71,00	1
a	concealed item	01800180	£ 163,00	1
b	adapter for exchanged connections	93181000	£ 275,00	1