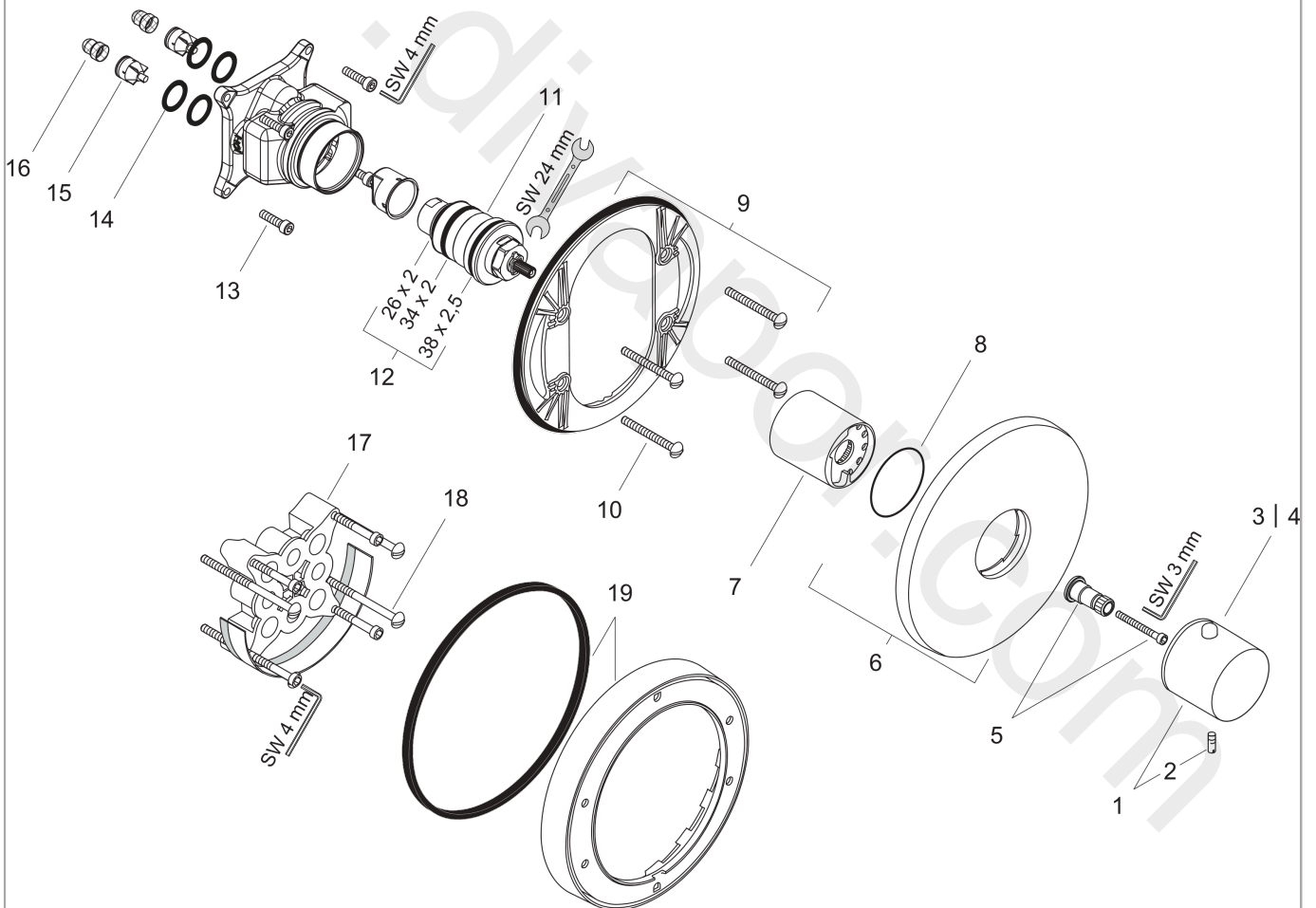


**AXOR Uno**  
**Thermostat HighFlow for concealed installation**  
 Surfaces: Article Number: **38715000**



## Exploded Drawing

Year of production: **02/12 - 08/12**



**AXOR Uno**  
**Thermostat HighFlow for concealed installation**  
 Surfaces: Article Number: **38715000**



## Spare part list

Year of production: **02/12 - 08/12**

Pos.		Article Number	Price	PU
1	handle for thermostat	38391000	£ 64,00	1
2	hollow set screw M5x16	97666000	£ 3,30	1
3	pushbutton	97792000	£ 16,10	1
4	pushbutton red	97212000	£ 25,00	1
5	adapter for handle	96435000	£ 20,50	1
6	escutcheon Ø 170 mm	95803000	£ 137,00	1
7	sleeve	97439000	£ 43,00	1
8	O-Ring 48x3	95508000	£ 3,30	1
9	sub plate	96447000	£ 51,00	1
10	set of fixing screws	96454000	£ 9,00	1
11	thermostat cartridge	96633000	£ 137,00	1
12	sealing set	96636000	£ 51,00	1
13	set of screws	96525000	£ 9,00	1
14	O-ring 16x2	98133000	£ 3,30	1
15	set of non return valves DW 15	97350000	£ 20,50	1
16	filter	98513000	£ 3,30	1
17	extension 25 mm	13595000	£ 75,00	1
18	set of fixing screws	97747000	£ 3,30	1
19	extension 22 mm (Ø 170 mm)	13596000	£ 72,00	1
a	concealed item	01800180	£ 163,00	1