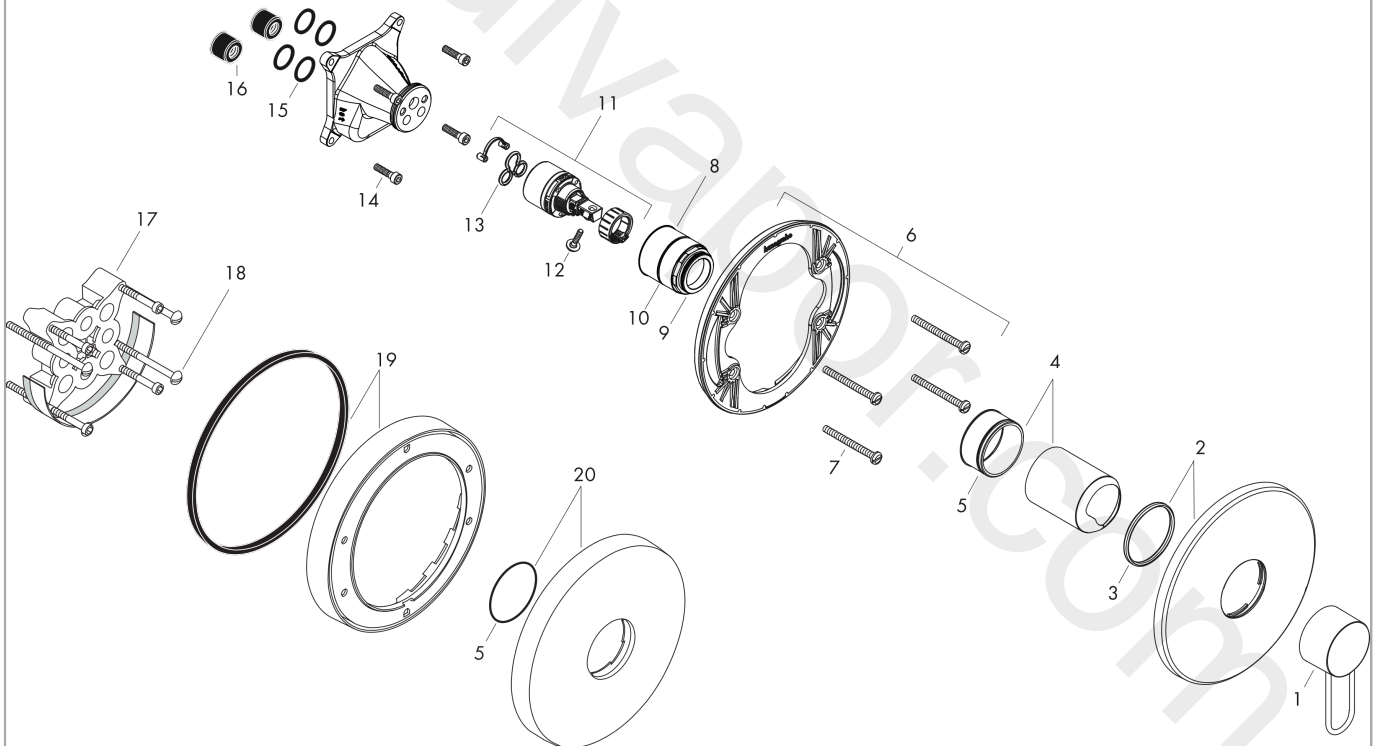


AXOR Uno
Single lever shower mixer for concealed installation with loop handle
Surfaces: Article Number: **38626820**



Exploded Drawing

Year of production: **04/17 - 09/19**



AXOR Uno
Single lever shower mixer for concealed installation with loop handle
 Surfaces: Article Number: **38626820**



Spare part list

Year of production: **04/17 - 09/19**

| Pos. | | Article Number | Price | PU |
|------|---|----------------|----------|----|
| 1 | handle | 93037820 | £ 173,00 | 1 |
| 2 | escutcheon Ø 170 mm | 95803820 | £ 224,00 | 1 |
| 3 | O-Ring 48x3 | 95508000 | £ 3,30 | 1 |
| 4 | flange | 98684820 | - | 1 |
| 5 | O-ring 43x1,5 | 98148000 | £ 3,30 | 1 |
| 6 | sub plate | 96447000 | £ 51,00 | 1 |
| 7 | set of fixing screws | 96454000 | £ 9,00 | 1 |
| 8 | nut | 98796000 | £ 43,00 | 1 |
| 9 | O-ring 30x1,5 | 98433000 | £ 3,30 | 1 |
| 10 | O-ring 39x1,5 | 98400000 | £ 3,30 | 1 |
| 11 | cartridge, assy | 92730000 | £ 35,00 | 1 |
| 12 | locking screw for handle | 95140000 | £ 6,10 | 1 |
| 13 | seal | 95008000 | £ 9,00 | 1 |
| 14 | set of screws | 96525000 | £ 9,00 | 1 |
| 15 | O-ring 16x2 | 98133000 | £ 3,30 | 1 |
| 16 | noise reduction | 94073000 | £ 25,00 | 1 |
| 17 | extension 25 mm | 13595000 | £ 75,00 | 1 |
| 18 | set of fixing screws | 97747000 | £ 3,30 | 1 |
| 19 | extension 22 mm (Ø 170 mm) | 13596000 | £ 72,00 | 1 |
| 20 | escutcheon height = 33 mm (when wall is not deep enough). | 14960000 | £ 71,00 | 1 |
| a | concealed item | 01800180 | £ 163,00 | 1 |
| b | adapter for exchanged connections | 93181000 | £ 275,00 | 1 |