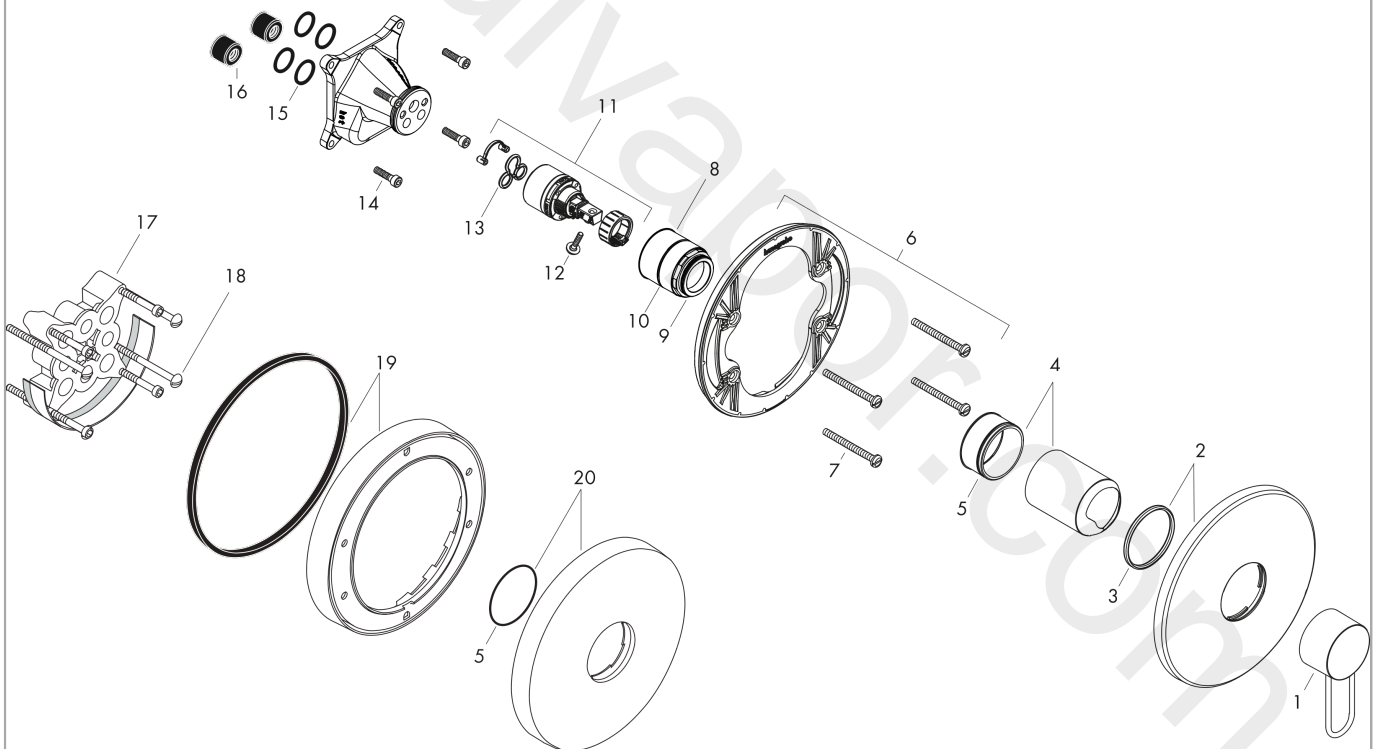


AXOR Uno
Single lever shower mixer for concealed installation with loop handle
Surfaces: Article Number: **38626000**



Exploded Drawing

Year of production: **04/17 - 09/19**



AXOR Uno
Single lever shower mixer for concealed installation with loop handle
 Surfaces: Article Number: **38626000**



Spare part list

Year of production: **04/17 - 09/19**

Pos.		Article Number	Price	PU
1	handle	93037000	£ 96,00	1
2	escutcheon Ø 170 mm	95803000	£ 137,00	1
3	O-Ring 48x3	95508000	£ 3,30	1
4	flange	98684000	£ 43,00	1
5	O-ring 43x1,5	98148000	£ 3,30	1
6	sub plate	96447000	£ 51,00	1
7	set of fixing screws	96454000	£ 9,00	1
8	nut	98796000	£ 43,00	1
9	O-ring 30x1,5	98433000	£ 3,30	1
10	O-ring 39x1,5	98400000	£ 3,30	1
11	cartridge, assy	92730000	£ 35,00	1
12	locking screw for handle	95140000	£ 6,10	1
13	seal	95008000	£ 9,00	1
14	set of screws	96525000	£ 9,00	1
15	O-ring 16x2	98133000	£ 3,30	1
16	noise reduction	94073000	£ 25,00	1
17	extension 25 mm	13595000	£ 75,00	1
18	set of fixing screws	97747000	£ 3,30	1
19	extension 22 mm (Ø 170 mm)	13596000	£ 72,00	1
20	escutcheon height = 33 mm (when wall is not deep enough).	14960000	£ 71,00	1
a	concealed item	01800180	£ 163,00	1
b	adapter for exchanged connections	93181000	£ 275,00	1