

AXOR Uno
Single lever shower mixer for concealed installation with loop handle
Finish: **Chrome** Article Number: **38626000**



product features

- 1 function
- maximum flow rate at 3 bar: 29 l/min
- ceramic cartridge
- temperature limitation adjustable
- with silencer
- suitable for continuous flow water heaters
- min. operating pressure: 1 bar
- max. operating pressure: 10 bar
- connection type: basic set

Article Details

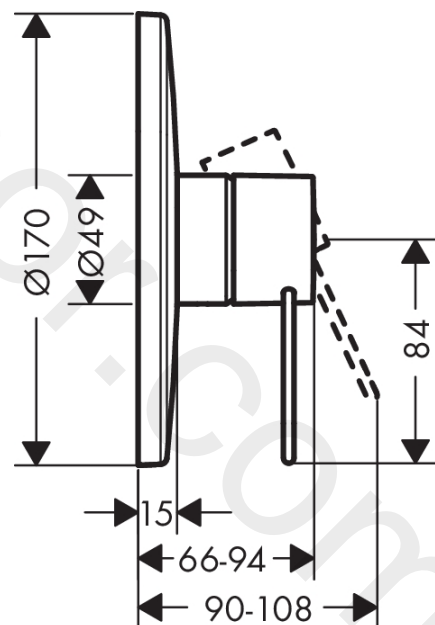
Price excl. VAT

370,83 £

Product image



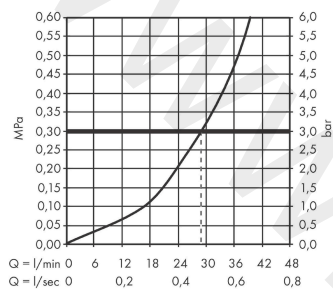
Scale drawing



AXOR Uno
Single lever shower mixer for concealed installation with loop handle
Finish: **Chrome** Article Number: **38626000**



Flowchart

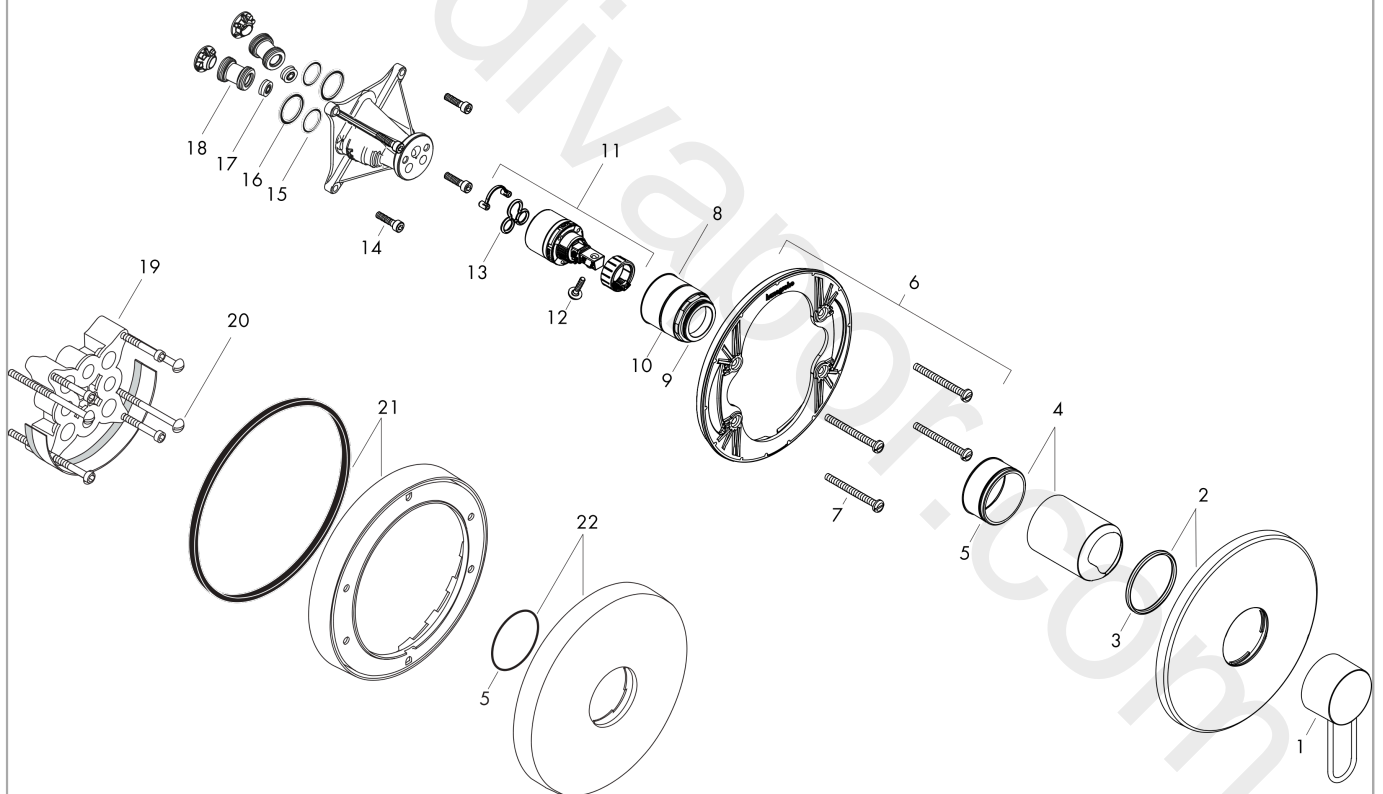


AXOR Uno
Single lever shower mixer for concealed installation with loop handle
Finish: **Chrome** Article Number: **38626000**



Exploded Drawing

Year of production: >10/19



AXOR Uno
Single lever shower mixer for concealed installation with loop handle
 Finish: **Chrome** Article Number: **38626000**



Spare part list

Year of production: >10/19

Pos.		Article Number	Price	PU
1	handle	93037000	£ 96,00	1
2	escutcheon Ø 170 mm	95803000	£ 137,00	1
3	O-Ring 48x3	95508000	£ 3,30	1
4	flange	98684000	£ 43,00	1
5	O-ring 43x1,5	98148000	£ 3,30	1
6	sub plate	96447000	£ 51,00	1
7	set of fixing screws	96454000	£ 9,00	1
8	nut	98796000	£ 43,00	1
9	O-ring 30x1,5	98433000	£ 3,30	1
10	O-ring 39x1,5	98400000	£ 3,30	1
11	cartridge, assy	92730000	£ 35,00	1
12	locking screw for handle	95140000	£ 6,10	1
13	seal	95008000	£ 9,00	1
14	set of screws	96525000	£ 9,00	1
15	O-ring 16x2	98133000	£ 3,30	1
16	O-Ring 22x2	98185000	£ 3,30	1
17	flow limiter (22 l/min)	95884000	£ 13,30	1
18	noise reduction	96429000	£ 6,10	1
19	extension 25 mm	13595000	£ 75,00	1
20	set of fixing screws	97747000	£ 3,30	1
21	extension 22 mm (Ø 170 mm)	13596000	£ 72,00	1
22	escutcheon height = 33 mm (when wall is not deep enough).	14960000	£ 71,00	1