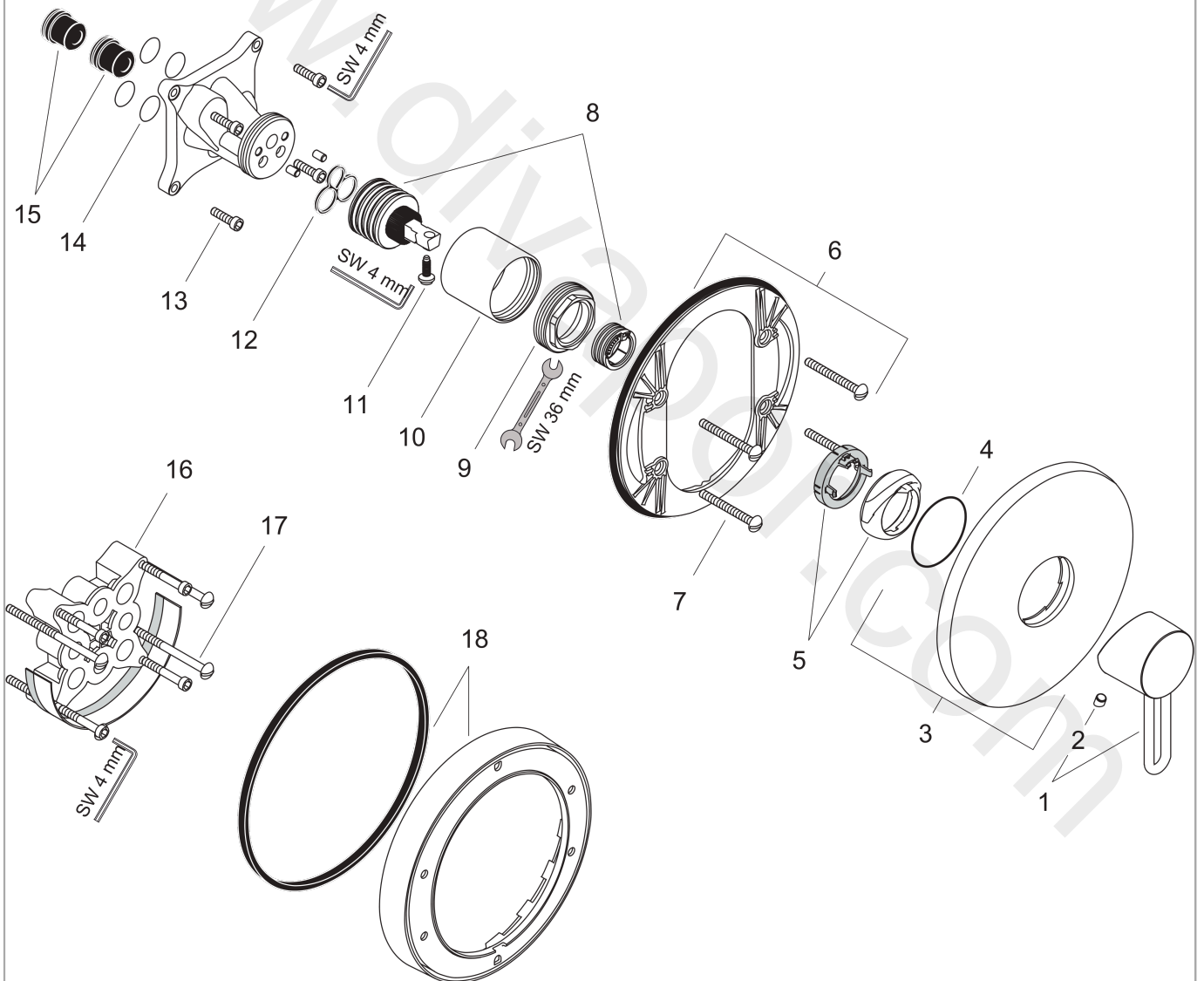


AXOR Uno²
Single lever shower mixer for concealed installation
Surfaces: Article Number: **38625000**



Exploded Drawing

Year of production: **10/04 - 05/11**



AXOR Uno²
Single lever shower mixer for concealed installation
 Surfaces: Article Number: **38625000**



Spare part list

Year of production: **10/04 - 05/11**

Pos.		Article Number	Price	PU
1	handle	98553000	£ 96,00	1
2	screw cover	96338000	£ 3,30	1
3	escutcheon Ø 170 mm	96452000	£ 64,00	1
4	O-ring 48x5	98174000	£ 3,30	1
5	flange (Rotating Protector)	96395000	£ 43,00	1
6	sub plate	96447000	£ 51,00	1
7	set of fixing screws	96454000	£ 9,00	1
8	cartridge, assy	92730000	£ 35,00	1
9	nut	96461000	£ 35,00	1
10	sleeve	98713000	£ 51,00	1
11	locking screw for handle	96059000	£ 9,00	1
12	seal	95008000	£ 9,00	1
13	set of screws	96525000	£ 9,00	1
14	O-ring 13x2	98128000	£ 3,30	1
15	noise reduction	94073000	£ 25,00	1
16	extension 25 mm	13595000	£ 75,00	1
17	set of fixing screws	97747000	£ 3,30	1
18	extension 22 mm (Ø 170 mm)	13596000	£ 72,00	1
a	concealed item	01800180	£ 163,00	1